

ANGLE ADJUSTABLE
INGROUND LIGHT

/
CREE LED+LENS/CREE COB+LENS



II
LED IN-GROUND LIGHT SERIE



Adjustable Beam Direction Series

Feature

1. A simplicity of wider angle adjustment



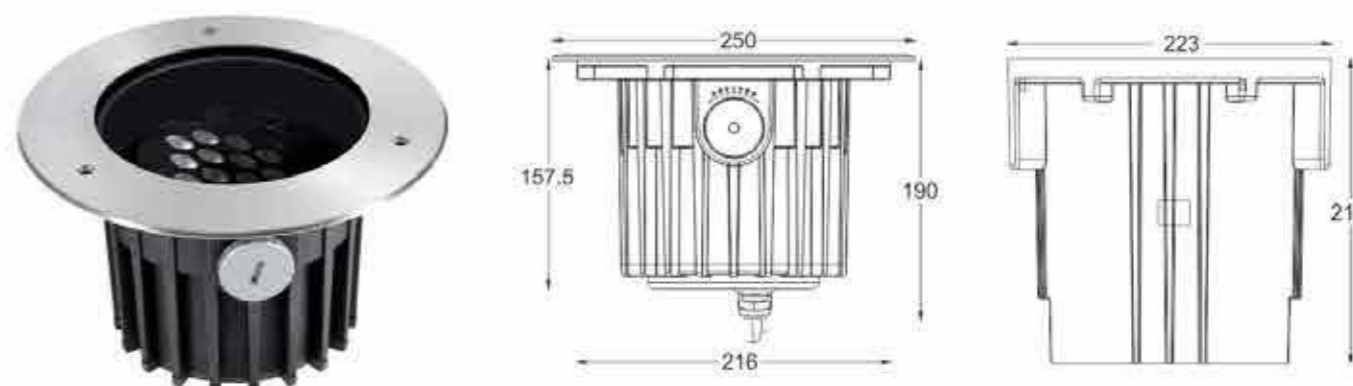
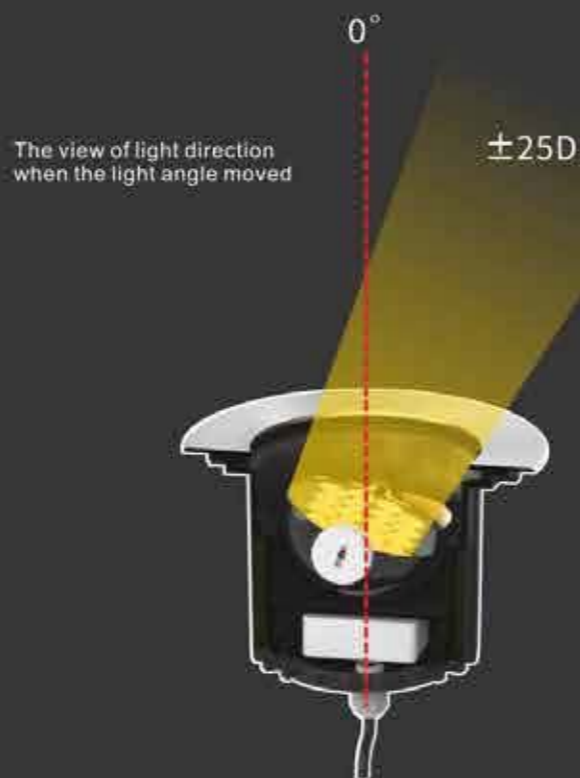
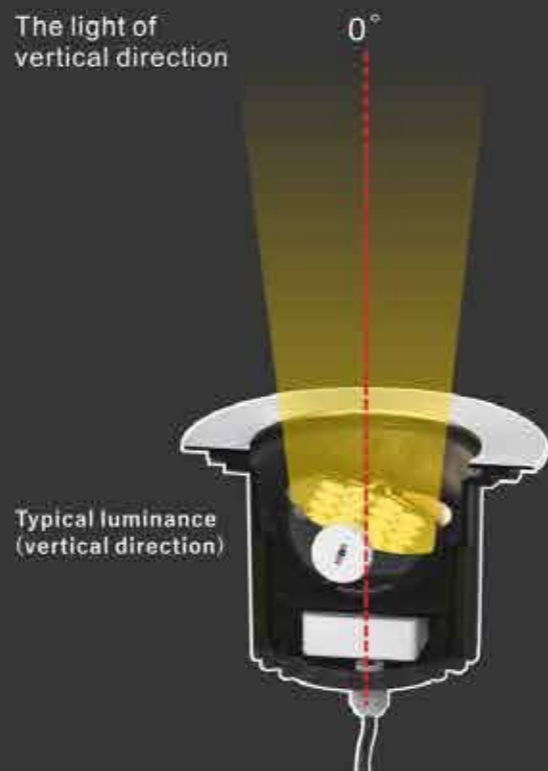
In according to the environment require to adjust the angle of light

2. Honeycomb-Good choice for soft light



The honeycomb louver will be synchronized changed along with the light beam angle

3. Luminous beam comparison before the adjustment



MODEL NO	POWER	LED COLOR	INPUT VOLT	LENS DEGREE	SIZE	CUT OUT
BL-BDA1802	18*2W	2700K-6500K/R/G/B	12V/24V DC 240V/120V AC	8°/15°/30°/ 40°/60°	250*190mm	223mm
BL-BDA1803	18*3W	RGB 3in1 DMX512	24V DC			
BL-BDA1804	18*4W	RGBW 4in1 DMX512	24V DC			
BL-BDA0140	1*40W	2700K-6500K/R/G/B	24V DC 240V/120V AC	18°/24°/38°/60°		

Material Specifications

LED: CREE or EPISTAR LED.
 Housing: 12#ADC Die-casting powder coated aluminum. T=60-80um. Adhesion of ISO class 1/ASTM class48.
 Front Cover: SUS316#Stainless Steel---Hard Chromeplated.
 Lens: Optical lens, efficiency ≥90%.
 Glass: Tempered glass. T=8mm.
 LED Driver: MEANWELL or KGP.
 Gland: IP68 PVC.
 Gasket: Tooling shaped double silicone seal.
 Power Cable: H05RN-F 2X1.0mm² L=0.5M (low voltage). H05RN-F 3X0.75mm² L=0.5M (high voltage). H05RN-F 5X0.75mm² L=0.5M (RGB DMX512). H05RN-F 5X0.75mm² L=0.5M (RGBW DMX512).
 Mounting Sleeve: ABS.
 Working Temperature: -20 to 40°C.

Optical Accessories



Optional COB Model



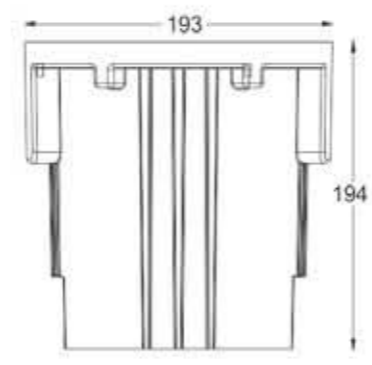
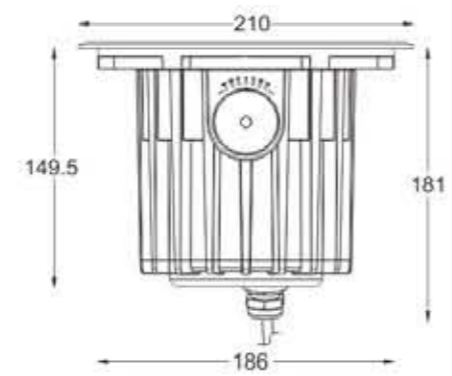
BL-BDA0140

Features

- Horizontal Adjustable ±25° Graduations for adjustability
- High colour rendering index
- Excellent thermal management
- Dimmable versions available

LED IN-GROUND LIGHT

● 6000K ● 5000K ● 4000K ● 3000K ● 2700K



Angle Adjustable: ± 25°

MODEL NO.	POWER	LED COLOR	INPUT VOLT	LENS DEGREE	SIZE	CUT OUT
BL-BDA1202	12*2W	2700K-6500K/R/G/B	12V/24V DC 240V/120V AC	8°/15°/30°/ 40°/60°	210*181mm	193mm
BL-BDA1203	12*3W	RGB 3in1 DMX512	24V DC			
BL-BDA1204	12*4W	RGBW 4in1 DMX512	24V DC			
BL-BDA0125	1*25W	2700K-6500K/R/G/B	24V DC 240V/120V AC	18°/24°/38°/60°		

Material Specifications

LED: CREE or EPISTAR LED.
 Housing: 12#ADC Die-casting powder coated aluminum. T=60-80um. Adhesion of ISO class 1/ASTM class48.
 Front Cover: SUS316#Stainless Steel---Hard Chromeplated.
 Lens: Optical lens, efficiency ≥ 90%.
 Glass: Tempered glass. T=8mm.
 LED Driver: MEANWELL or KGP.
 Gland: IP68 PVC.
 Gasket: Tooling shaped double silicone seal.
 Power Cable: H05RN-F 2X1.0mm² L=0.5M (low voltage). H05RN-F 3X0.75mm² L=0.5M (high voltage). H05RN-F 5X0.75mm² L=0.5M (RGB DMX512). H05RN-F 5X0.75mm² L=0.5M (RGBW DMX512).
 Mounting Sleeve: ABS.
 Working Temperature: -20 to 40°C.

Optical Accessories



Optional COB Model

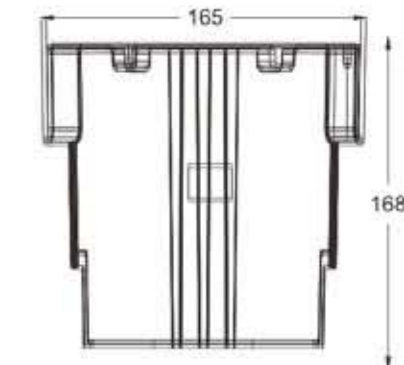
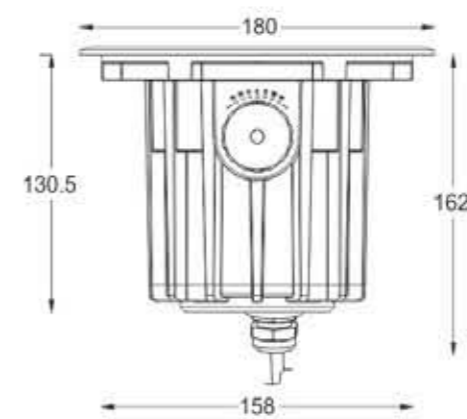


BL-BDA0125

Features

- Horizontal Adjustable ± 25° Graduations for adjustability
- High colour rendering index
- Excellent thermal management
- Dimmable versions available

RGB 3in1 RGBW 4in1 MEANWELL KGP CREE DMX512 Control Mode DALI/0-10V TRIAC IP67 IK09 CRI>80/90 SS316



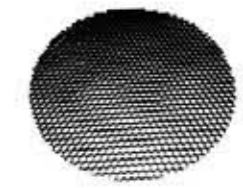
Angle Adjustable: ± 25°

MODEL NO.	POWER	LED COLOR	INPUT VOLT	LENS DEGREE	SIZE	CUT OUT
BL-BDA0902	9*2W	2700K-6500K/R/G/B	12V/24V DC 240V/120V AC	8°/15°/30°/ 40°/60°	180*162mm	165mm
BL-BDA0903	9*3W	RGB 3in1 DMX512	24V DC			
BL-BDA0904	9*4W	RGBW 4in1 DMX512	24V DC			
BL-BDA0120	1*20W	2700K-6500K/R/G/B	24V DC 240V/120V AC	18°/24°/38°/60°		

Material Specifications

LED: CREE or EPISTAR LED.
 Housing: 12#ADC Die-casting powder coated aluminum. T=60-80um. Adhesion of ISO class 1/ASTM class48.
 Front Cover: SUS316#Stainless Steel---Hard Chromeplated.
 Lens: Optical lens, efficiency ≥ 90%.
 Glass: Tempered glass. T=8mm.
 LED Driver: KGP-TUV & UL Certified.
 Gland: IP68 PVC.
 Gasket: Tooling shaped double silicone seal.
 Power Cable: H05RN-F 2X1.0mm² L=0.5M (low voltage). H05RN-F 3X0.75mm² L=0.5M (high voltage). H05RN-F 5X0.75mm² L=0.5M (RGB DMX512). H05RN-F 5X0.75mm² L=0.5M (RGBW DMX512).
 Mounting Sleeve: ABS.
 Working Temperature: -20 to 40°C.

Optical Accessories



Optional COB Model



BL-BDA0120

Features

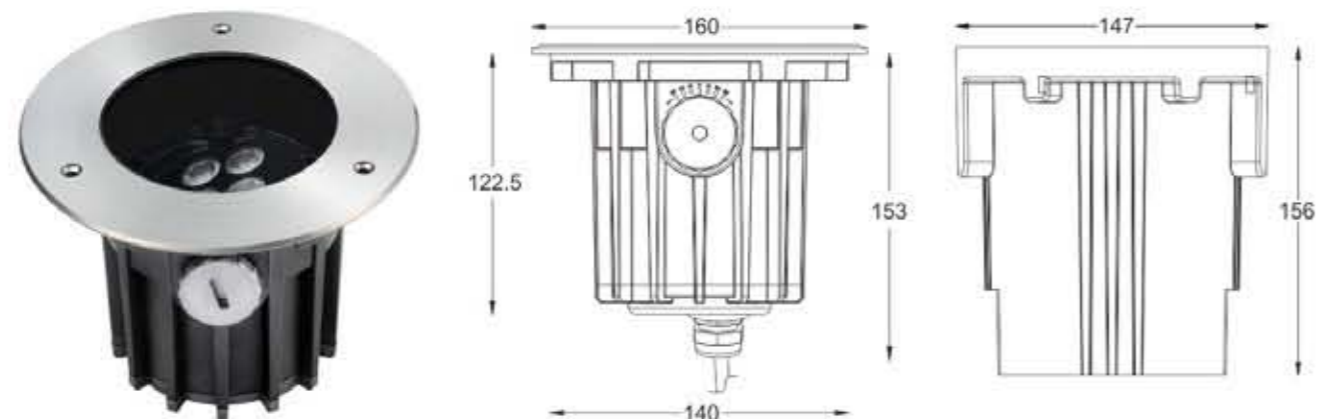
- Horizontal Adjustable ± 25° Graduations for adjustability
- High colour rendering index
- Excellent thermal management
- Dimmable versions available

LED IN-GROUND LIGHT

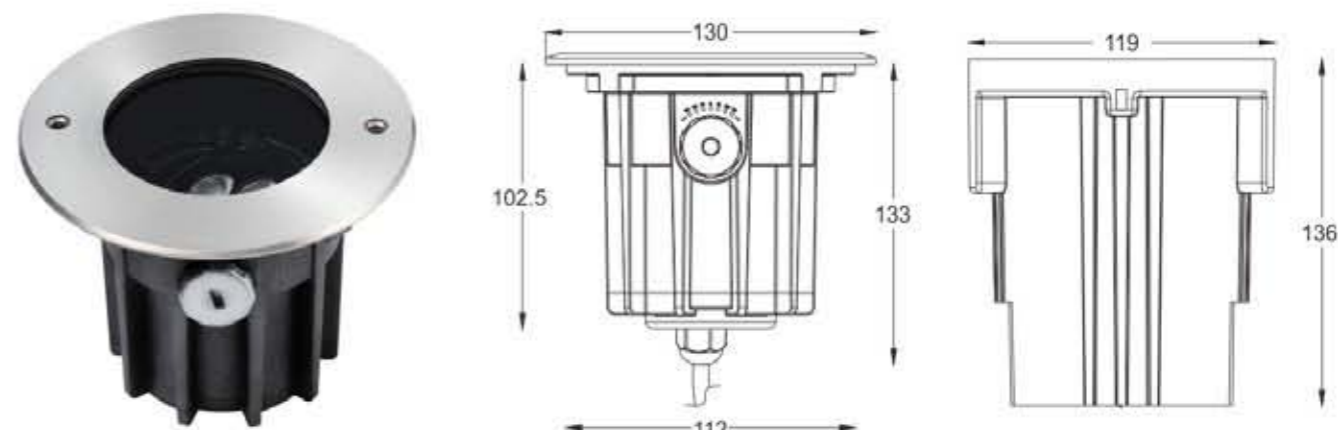
LED IN-GROUND LIGHT

● 6000K ● 5000K ● 4000K ● 3000K ● 2700K

KGP **CREE** DALI/0-10V TRIAC CRI>80/90 SS316



Angle Adjustable: ± 25°



Angle Adjustable: ± 25°

MODEL NO.	POWER	LED COLOR	INPUT VOLT	LENS DEGREE	SIZE	CUT OUT
BL-BDA0602	6*2W	2700K-6500K/R/G/B	12V/24V DC 240V/120V AC	8°/15°/30°/ 40°/60°	160*153mm	147mm
BL-BDA0603	6*3W	RGB 3in1 DMX512	24V DC			
BL-BDA0604	6*4W	RGBW 4in1 DMX512	24V DC			
BL-BDA0115	1*15W	2700K-6500K/R/G/B	24V DC 240V/120V AC	18°/24°/38°/60°		

MODEL NO.	POWER	LED COLOR	INPUT VOLT	LENS DEGREE	SIZE	CUT OUT
BL-BDA0302	3*2W	2700K-6500K/R/G/B	12V/24V DC 240V/120V AC	8°/15°/30°/ 40°/60°	130*133mm	119mm
BL-BDA0303	3*3W	RGB 3in1 DMX512	24V DC			
BL-BDA0304	3*4W	RGBW 4in1 DMX512	24V DC			
BL-BDA0110	1*10W	2700K-6500K/R/G/B	24V DC 240V/120V AC	18°/24°/38°/60°		

Material Specifications

LED: CREE or EPISTAR LED.
 Housing: 12#ADC Die-casting powder coated aluminum. T=60-80um. Adhesion of ISO class 1/ASTM class48.
 Front Cover: SUS316#Stainless Steel---Hard Chromeplated.
 Lens: Optical lens, efficiency ≥ 90%.
 Glass: Tempered glass. T=8mm.
 LED Driver: KGP-TUV & UL Certified.
 Gland: IP68 PVC.
 Gasket: Tooling shaped double silicone seal.
 Power Cable: H05RN-F 2X1.0mm²L=0.5M (low voltage). H05RN-F 3X0.75mm²L=0.5M (high voltage). H05RN-F 5X0.75mm²L=0.5M (RGB DMX512). H05RN-F 5X0.75mm²L=0.5M (RGBW DMX512).
 Mounting Sleeve: ABS.
 Working Temperature: -20 to 40°C.

Optical Accessories



Optional COB Model



BL-BDA0115

Features

- Horizontal Adjustable ± 25° Graduations for adjustability
- High colour rendering index
- Excellent thermal management
- Dimmable versions available

Material Specifications

LED: CREE or EPISTAR LED.
 Housing: 12#ADC Die-casting powder coated aluminum. T=60-80um. Adhesion of ISO class 1/ASTM class48.
 Front Cover: SUS316#Stainless Steel---Hard Chromeplated.
 Lens: Optical lens, efficiency ≥ 90%.
 Glass: Tempered glass. T=8mm.
 LED Driver: KGP-TUV & UL Certified.
 Gland: IP68 PVC.
 Gasket: Tooling shaped double silicone seal.
 Power Cable: H05RN-F 2X1.0mm²L=0.5M (low voltage). H05RN-F 3X0.75mm²L=0.5M (high voltage). H05RN-F 5X0.75mm²L=0.5M (RGB DMX512). H05RN-F 5X0.75mm²L=0.5M (RGBW DMX512).
 Mounting Sleeve: ABS.
 Working Temperature: -20 to 40°C.

Optical Accessories



Optional COB Model



BL-BDA0110

Features

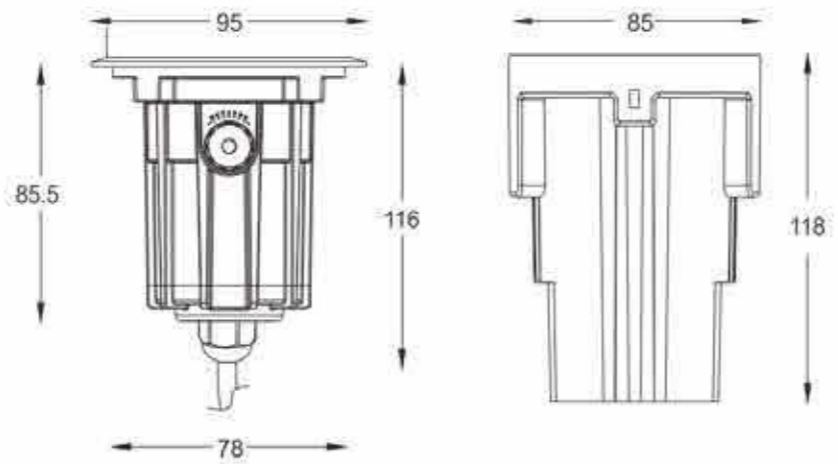
- Horizontal Adjustable ± 25° Graduations for adjustability
- High colour rendering index
- Excellent thermal management
- Dimmable versions available

● 6000K ● 5000K ● 4000K ● 3000K ● 2700K

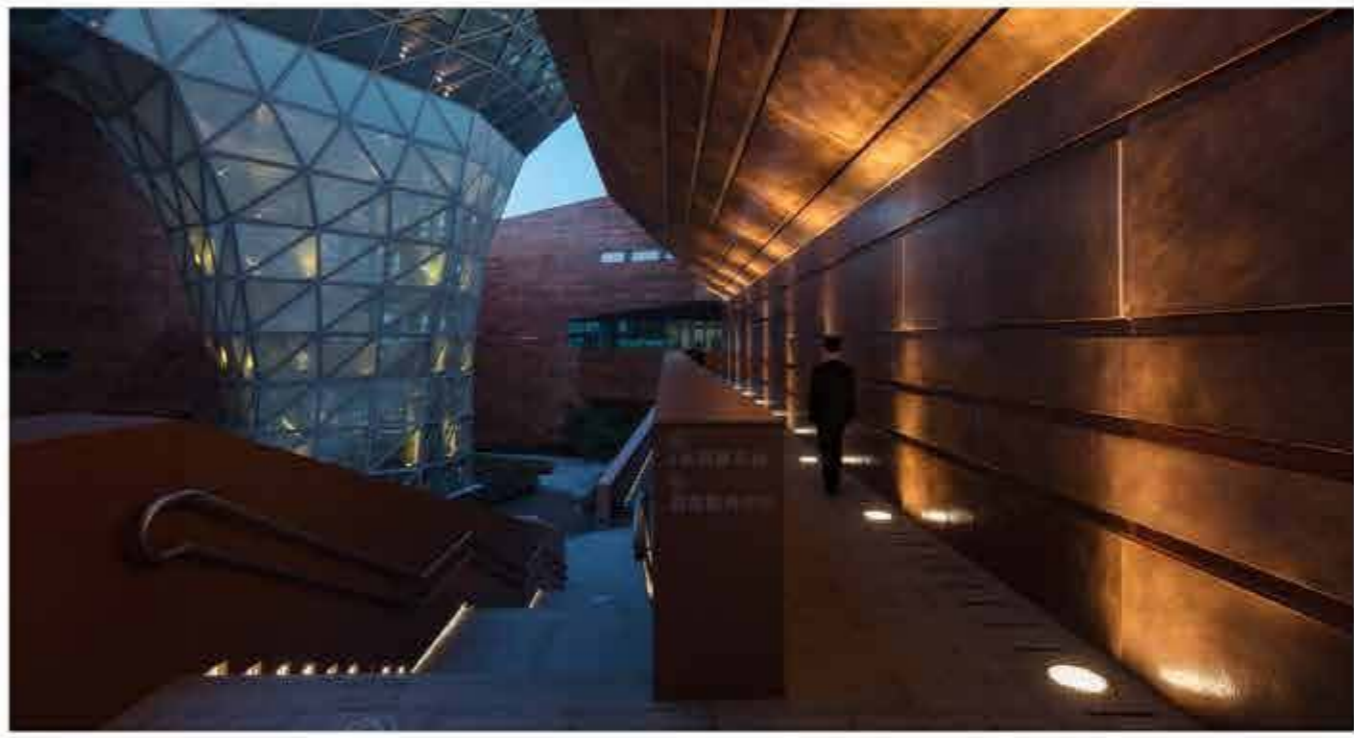
RGB 3 in 1 RGBW 4 in 1 KGP CREE DMX512 DC24V AC220V DALI/0-10V TRIAC IP67 IK09 CRI>80/90 SS316 Waterproof Connector



Angle Adjustable: ± 25°



MODEL NO.	POWER	LED COLOR	INPUT VOLT	LENS DEGREE	SIZE	CUT OUT
BL-BDA0103	1*3W	2700K-6500K/R/G/B	12V/24V DC 240V/120V AC	8°/15°/30°/ 40°/60°	95*116mm	85mm
		RGB 3in1 DMX512	24V DC			
BL-BDA0104	1*4W	RGBW 4in1 DMX512	24V DC			



Beam Direction Adjustable In-ground Light

Material Specifications

LED: CREE or EPISTAR LED.
 Housing: 12#ADC Die-casting powder coated aluminum. T=60-80um. Adhesion of ISO class 1/ASTM class 48.
 Front Cover: SUS316#Stainless Steel---Hard Chromeplated.
 Lens: Optical lens, efficiency ≥ 90%.
 Glass: Tempered glass. T=8mm.
 LED Driver: KGP-TUV & UL Certified.
 Gland: IP68 PVC.
 Gasket: Tooling shaped double silicone seal.
 Power Cable: H05RN-F 2X1.0mm² L=0.5M (low voltage), H05RN-F 3X0.75mm² L=0.5M (high voltage), H05RN-F 5X0.75mm² L=0.5M (RGB DMX512), H05RN-F 5X0.75mm² L=0.5M (RGBW DMX512).
 Mounting Sleeve: ABS.
 Working Temperature: -20 to 40°C.

Optical Accessories



Features

- Horizontal Adjustable ± 25° Graduations for adjustability
- High colour rendering index
- Excellent thermal management
- Dimmable versions available



CREE COB+LENS



CREE LED+LENS



CREE LED+LENS

BEAM DIRECTION ADJUSTABLE IN-GROUND LIGHT

SPECIAL HOUSING DESIGNS AND HIGH-QUALITY OPTICAL COMPONENTS SPECIFICALLY FOR DEMANDING VISUAL TASKS TO PROVIDE ENHANCED VISUAL COMFORT, COMPACT ARCHITECTURAL AND STYLISH OUTDOOR INNOVATIVE PROJECTOR FOR VARIETY OF FLOODLIGHTING APPLICATIONS, IDEAL FOR ILLUMINATING LARGE BUILDINGS AND OBJECTS.

LUMINAIRES WITH CREE COB OR XP-E/G LEDS PROVIDE EXCELLENT LIGHT QUALITY WITH HIGHLY PRECISE LIGHT DISTRIBUTION, FREE OF COLOUR SHIFTS AND DISTORTION, SPECIAL PCB LAYOUTS ENSURE THE LED MODULES ARE OPTIMALLY MATCHED TO THE OPTICAL SYSTEM OF THE LUMINAIRES. EMIT MORE THAN 90% OF THEIR INITIAL LUMINOUS FLUX UNTIL 50000 OPERATING HOURS.

CORROSION-RESISTANT ADC 12 # DIE-CASTING ALUMINIUM BODY GIVES THE LUMINAIRE GOOD THERMAL CONDUCTIVITY, AND LARGE AREA CONNECTIONS BETWEEN THE REAR OF THE HOUSING AND THE LED S PCB ENSURE GOOD HEAT CONDUCTION.

STAINLESS STEEL SCREWS, HIGH STRENGTH 4MM TOUGHENED GLASS >92% LIGHT TRANSMITTANCE, EXTREMELY NARROW TO WIDE BEAM OPTIONS, ROTATIONALLY SYMMETRIC LIGHT DISTRIBUTION, INTEGRATED POWER SUPPLY WITH DIMMABLE OPTIONS.

SPIKE/POLE/PLATE/CEILING MOUNTING VERSION ALSO AVAILABLE.



CREE LED+LENS



CREE COB+LENS



CREE LED+LENS

Optical Accessories



Filter



Diffuser
glass



Refractor
for elliptical
distribution

+



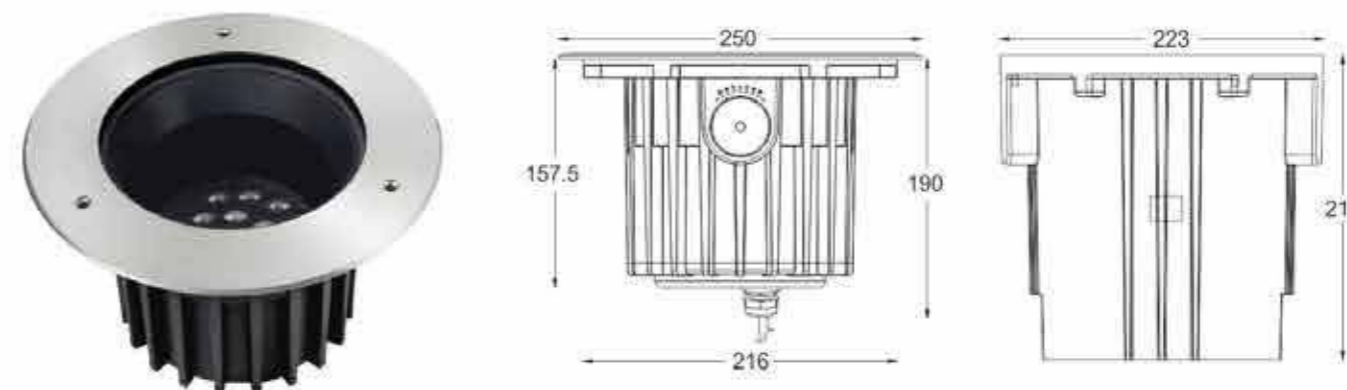
Honeycomb
louver



Honeycomb
Grille

NON-ADJUSTABLE DEPTH ILLUMINANT & ANTI-GLARE INGROUND LIGHT

CREE LED/COB+LENS
CREE COB+REFLECTOR



MODEL NO	POWER	LED COLOR	INPUT VOLT	LENS DEGREE	SIZE	CUT OUT
BL-DIL1802	18*2W	2700K-6500K/R/G/B	12V/24V DC 240V/120V AC	8°/15°/30°/ 40°/60°	250*190mm	223mm
BL-DIL1803	18*3W	RGB 3in1 DMX512	24V DC			
BL-DIL1804	18*4W	RGB 4in1 DMX512	24V DC			
BL-DIL0140	1*40W	2700K-6500K/R/G/B	24V DC 240V/120V AC	18°/24°/38°/60°		

Material Specifications

LED: CREE or EPISTAR LED.
Housing: 12#ADC Die-casting powder coated aluminum. T=60-80um. Adhesion of ISO class 1/ASTM class 48.
Front Cover: SUS316#Stainless Steel---Hard Chrome plated.
Lens: Optical lens, efficiency ≥90%.
Glass: Tempered glass. T=8mm.
LED Driver: MEANWELL or KGP.
Gland: IP68 PVC.
Gasket: Tooling shaped double silicone seal.
Power Cable: H05RN-F 2X1.0mm² L=0.5M (low voltage). H05RN-F 3X0.75mm² L=0.5M (high voltage). H05RN-F 5X0.75mm² L=0.5M (RGB DMX512).
H05RN-F 5X0.75mm² L=0.5M (RGBW DMX512).
Mounting Sleeve: ABS.
Working Temperature: -20 to 40°C.

Optical Accessories



Optional Model
BL-DIL0140

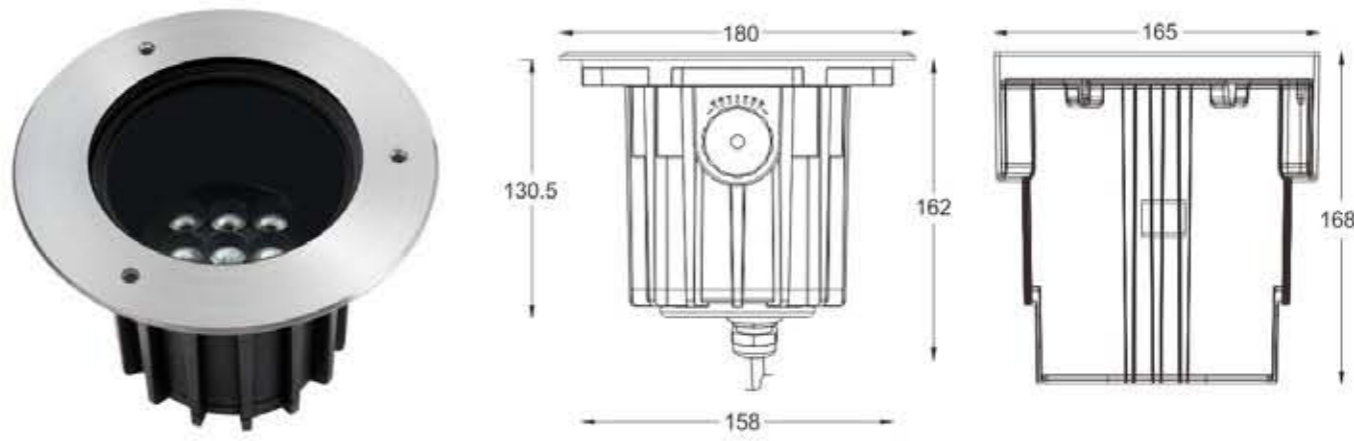
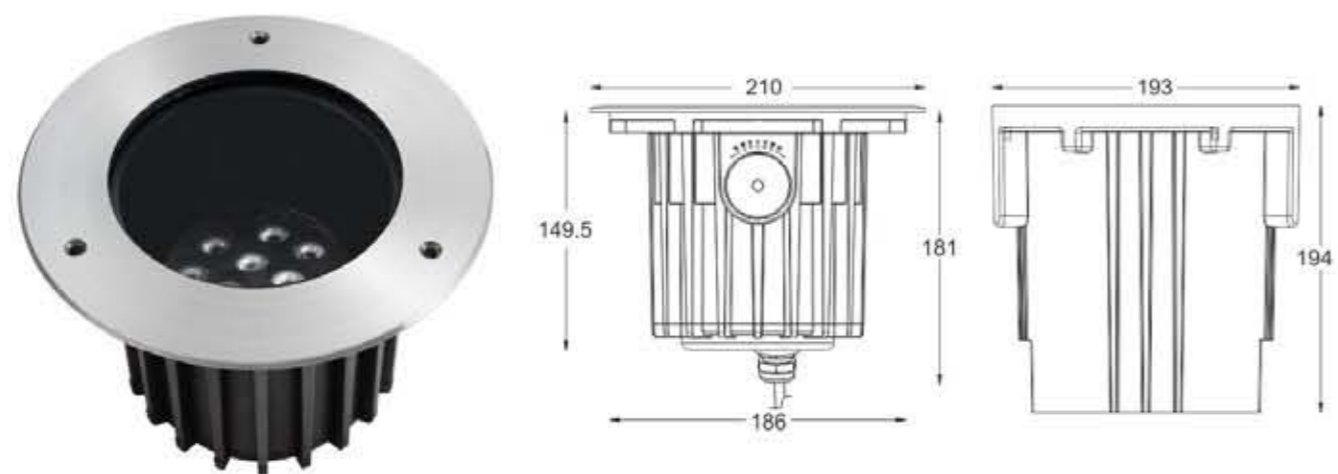


Features



LED IN-GROUND LIGHT

● 6000K ● 5000K ● 4000K ● 3000K ● 2700K



LED IN-GROUND LIGHT

LED IN-GROUND LIGHT

MODEL NO.	POWER	LED COLOR	INPUT VOLT	LENS DEGREE	SIZE	CUT OUT
BL-DIL1202	12*2W	2700K-6500K/R/G/B	12V/24V DC 240V/120V AC	8°/15°/30°/ 40°/60°	210*181mm	193mm
BL-DIL1203	12*3W	RGB 3in1 DMX512	24V DC			
BL-DIL1204	12*4W	RGB 4in1 DMX512	24V DC			
BL-DIL0125	1*25W	2700K-6500K/R/G/B	24V DC 240V/120V AC	18°/24°/38°/60°		

MODEL NO.	POWER	LED COLOR	INPUT VOLT	LENS DEGREE	SIZE	CUT OUT
BL-DIL0902	9*2W	2700K-6500K/R/G/B	12V/24V DC 240V/120V AC	8°/15°/30°/ 40°/60°	180*162mm	165mm
BL-DIL0903	9*3W	RGB 3in1 DMX512	24V DC			
BL-DIL0904	9*4W	RGB 4in1 DMX512	24V DC			
BL-DIL0120	1*20W	2700K-6500K/R/G/B	24V DC 240V/120V AC	18°/24°/38°/60°		

Material Specifications

LED:CREE or EPISTAR LED.
 Housing:12#ADC Die-casting powder coated aluminum.T=60-80um.Adhesion of ISO class 1/ASTM class48.
 Front Cover:SUS316#Stainless Steel---Hard Chromeplated.
 Lens:Optical lens,efficiency≥90%.
 Glass:Tempered glass.T=8mm.
 LED Driver:MEANWELL or KGP.
 Gland:IP68 PVC.
 Gasket:Tooling shaped double silicone seal.
 Power Cable:H05RN--F 2X1.0mm²L=0.5M(low voltage).H05RN-F 3×0.75mm²L=0.5M(high voltage).H05RN-F 5×0.75mm²L=0.5M(RGB DMX512).
 H05RN-F 5×0.75mm²L=0.5M(RGBW DMX512).
 Mounting Sleeve:ABS.
 Working Temperature:-20 to 40°C.

Optical Accessories



Features

- High colour rendering index
- Excellent thermal management
- Dimmable versions available
- Available in round or square

Material Specifications

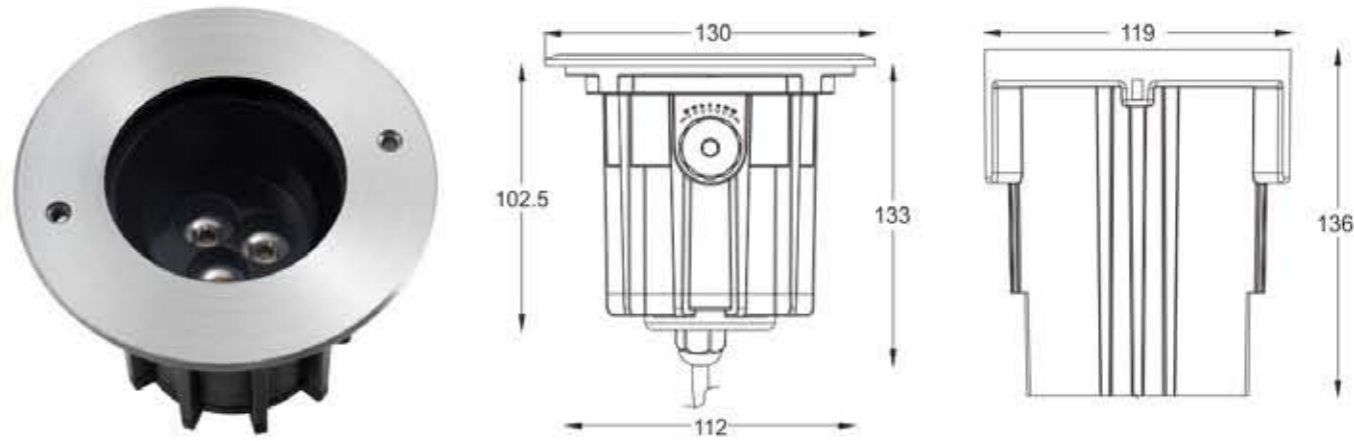
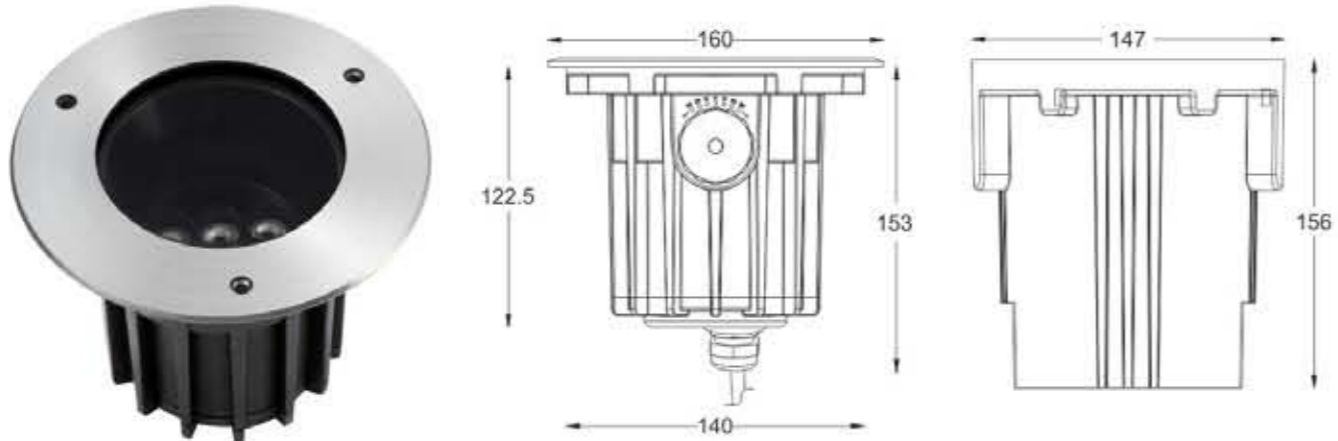
LED:CREE or EPISTAR LED.
 Housing:12#ADC Die-casting powder coated aluminum.T=60-80um.Adhesion of ISO class 1/ASTM class48.
 Front Cover:SUS316#Stainless Steel---Hard Chromeplated.
 Lens:Optical lens,efficiency≥90%.
 Glass:Tempered glass.T=8mm.
 LED Driver:KGP-TUV & UL Certified.
 Gland:IP68 PVC.
 Gasket:Tooling shaped double silicone seal.
 Power Cable:H05RN--F 2X1.0mm²L=0.5M(low voltage).H05RN-F 3×0.75mm²L=0.5M(high voltage).H05RN-F 5×0.75mm²L=0.5M(RGB DMX512).
 H05RN-F 5×0.75mm²L=0.5M(RGBW DMX512).
 Mounting Sleeve:ABS.
 Working Temperature:-20 to 40°C.

Optical Accessories



Features

- High colour rendering index
- Excellent thermal management
- Dimmable versions available
- EMC-optimised



LED IN-GROUND LIGHT

LED IN-GROUND LIGHT

MODEL NO.	POWER	LED COLOR	INPUT VOLT	LENS DEGREE	SIZE	CUT OUT
BL-DIL0602	6*2W	2700K-6500K/R/G/B	12V/24V DC 240V/120V AC	8°/15°/30°/ 40°/60°	160*153mm	147mm
BL-DIL0603	6*3W	RGB 3in1 DMX512	24V DC			
BL-DIL0604	6*4W	RGB 4in1 DMX512	24V DC			
BL-DIL0115	1*15W	2700K-6500K/R/G/B	24V DC 240V/120V AC	18°/24°/38°/60°		

MODEL NO.	POWER	LED COLOR	INPUT VOLT	LENS DEGREE	SIZE	CUT OUT
BL-DIL0302	3*2W	2700K-6500K/R/G/B	12V/24V DC 240V/120V AC	8°/15°/30°/ 40°/60°	130*133mm	119mm
BL-DIL0303	3*3W	RGB 3in1 DMX512	24V DC			
BL-DIL0304	3*4W	RGB 4in1 DMX512	24V DC			
BL-DIL0110	1*10W	2700K-6500K/R/G/B	24V DC 240V/120V AC	18°/24°/38°/60°		

Material Specifications

LED: CREE or EPISTAR LED.
 Housing: 12#ADC Die-casting powder coated aluminum. T=60-80um. Adhesion of ISO class 1/ASTM class48.
 Front Cover: SUS316#Stainless Steel---Hard Chromeplated.
 Lens: Optical lens, efficiency ≥90%.
 Glass: Tempered glass. T=8mm.
 LED Driver: KGP-TUV & UL Certified.
 Gland: IP68 PVC.
 Gasket: Tooling shaped double silicone seal.
 Power Cable: H05RN-F 2X1.0mm² L=0.5M (low voltage). H05RN-F 3X0.75mm² L=0.5M (high voltage). H05RN-F 5X0.75mm² L=0.5M (RGB DMX512). H05RN-F 5X0.75mm² L=0.5M (RGBW DMX512).
 Mounting Sleeve: ABS.
 Working Temperature: -20 to 40°C.

Optical Accessories



Features

- High colour rendering index
- Excellent thermal management
- Dimmable versions available
- Available in round or square

Material Specifications

LED: CREE or EPISTAR LED.
 Housing: 12#ADC Die-casting powder coated aluminum. T=60-80um. Adhesion of ISO class 1/ASTM class48.
 Front Cover: SUS316#Stainless Steel---Hard Chromeplated.
 Lens: Optical lens, efficiency ≥90%.
 Glass: Tempered glass. T=8mm.
 LED Driver: KGP-TUV & UL Certified.
 Gland: IP68 PVC.
 Gasket: Tooling shaped double silicone seal.
 Power Cable: H05RN-F 2X1.0mm² L=0.5M (low voltage). H05RN-F 3X0.75mm² L=0.5M (high voltage). H05RN-F 5X0.75mm² L=0.5M (RGB DMX512). H05RN-F 5X0.75mm² L=0.5M (RGBW DMX512).
 Mounting Sleeve: ABS.
 Working Temperature: -20 to 40°C.

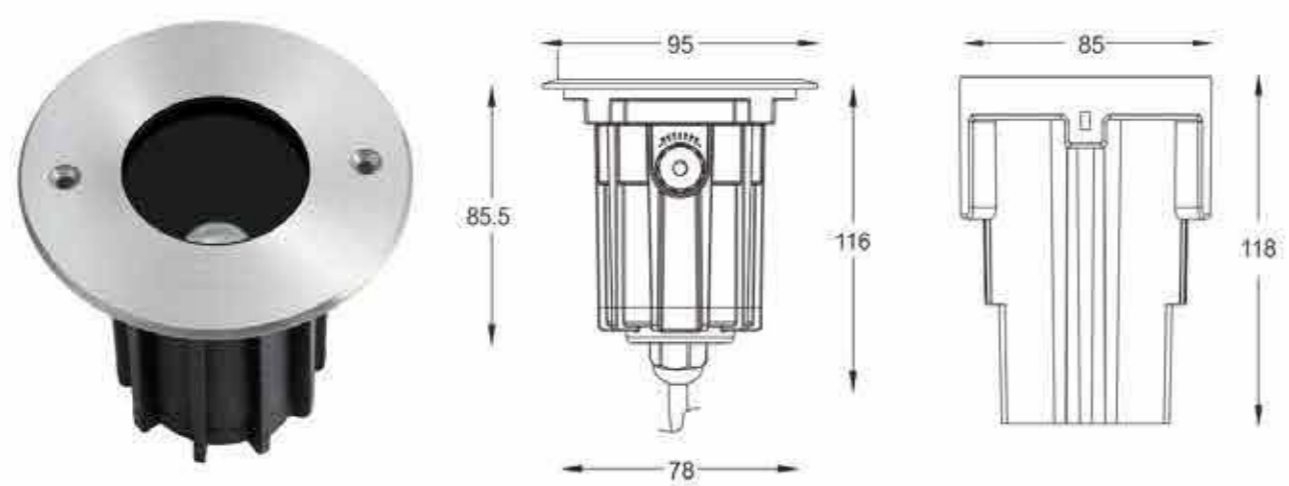
Optical Accessories



Features

- High colour rendering index
- Excellent thermal management
- Dimmable versions available
- EMC-optimised

● 6000K ● 5000K ● 4000K ● 3000K ● 2700K



MODEL NO.	POWER	LED COLOR	INPUT VOLT	LENS DEGREE	SIZE	CUT OUT
BL-DIL0103	1*3W	2700K-6500K/R/G/B	12V/24V DC 240V/120V AC	8°/15°/30°/ 40°/60°	95*116mm	85mm
		RGB 3in1 DMX512	24V DC			
BL-DIL0104	1*4W	RGB 4in1 DMX512	24V DC			
BL-DIL0105	1*5W	2700K-6500K/R/G/B	24V DC 240V/120V AC	18°/24°/38°/60°		

Material Specifications

LED: CREE or EPISTAR LED.
 Housing: 12#ADC Die-casting powder coated aluminum. T=60-80um. Adhesion of ISO class 1/ASTM class 48.
 Front Cover: SUS316#Stainless Steel---Hard Chromeplated.
 Lens: Optical lens, efficiency >90%.
 Glass: Tempered glass. T=8mm.
 LED Driver: KGP-TUV & UL Certified.
 Gland: IP68 PVC.
 Gasket: Tooling shaped double silicone seal.
 Power Cable: H05RN-F 2X1.0mm² L=0.5M (low voltage), H05RN-F 3X0.75mm² L=0.5M (high voltage), H05RN-F 5X0.75mm² L=0.5M (RGB DMX512), H05RN-F 5X0.75mm² L=0.5M (RGBW DMX512).
 Mounting Sleeve: ABS.
 Working Temperature: -20 to 40°C.

Optical Accessories



Optional Model



Features

- High colour rendering index
- Excellent thermal management
- Dimmable versions available
- Available in round or square

RGB 3 in 1 RGBW 4 in 1 KGP CREE DMX512 DC24V AC220V DALI/0-10V TRIAC IP67 IK09 CRI>80/90 SS316 Waterproof Connector



Non-Adjustable Depth Illuminant & Anti-glare Inground light



CREE COB+LENS CREE LED+LENS CREE COB+REFLECTOR

NON-ADJUSTABLE DEPTH ILLUMINANT & ANTI-GLARE INGROUND LIGHT

SPECIAL HOUSING DESIGNS AND HIGH-QUALITY OPTICAL COMPONENTS SPECIFICALLY FOR DEMANDING VISUAL TASKS TO PROVIDE ENHANCED VISUAL COMFORT. COMPACT ARCHITECTURAL AND STYLISH OUTDOOR INNOVATIVE PROJECTOR FOR VARIETY OF FLOODLIGHTING APPLICATIONS. IDEAL FOR ILLUMINATING LARGE BUILDINGS AND OBJECTS.

LUMINAIRE WITH CREE COB OR XP-E/G LEDS PROVIDE EXCELLENT LIGHT QUALITY WITH HIGHLY PRECISE LIGHT DISTRIBUTION, FREE OF COLOUR SHIFTS AND DISTORTION. SPECIAL PCB LAYOUTS ENSURE THE LED MODULES ARE OPTIMALLY MATCHED TO THE OPTICAL SYSTEM OF THE LUMINAIRE. EMIT MORE THAN 90% OF THEIR INITIAL LUMINOUS FLUX UNTIL 50000 OPERATING HOURS.

CORROSION-RESISTANT ADC12 DIE-CASTING ALUMINIUM BODY GIVES THE LUMINAIRE GOOD THERMAL CONDUCTIVITY, AND LARGE AREA CONNECTIONS BETWEEN THE REAR OF THE HOUSING AND THE LED'S PCB ENSURE GOOD HEAT CONDUCTION.

STAINLESS STEEL SCREWS, HIGH STRENGTH 4MM TOUGHENED GLASS >92% LIGHT TRANSMITTANCE. EXTREMELY NARROW TO WIDE BEAM OPTIONS. ROTATIONALLY SYMMETRIC LIGHT DISTRIBUTION. INTEGRATED POWER SUPPLY WITH DIMMABLE OPTIONS.

SPIKE/POLE/PLATE/CEILING MOUNTING VERSION ALSO AVAILABLE.



CREE LED+LENS



CREE COB+LENS



CREE COB+REFLECTOR

Optical Accessories



Filter



Diffuser
glass



Refractor
for elliptical
distribution

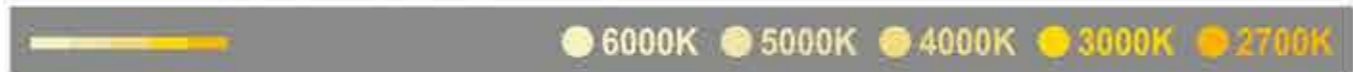
+



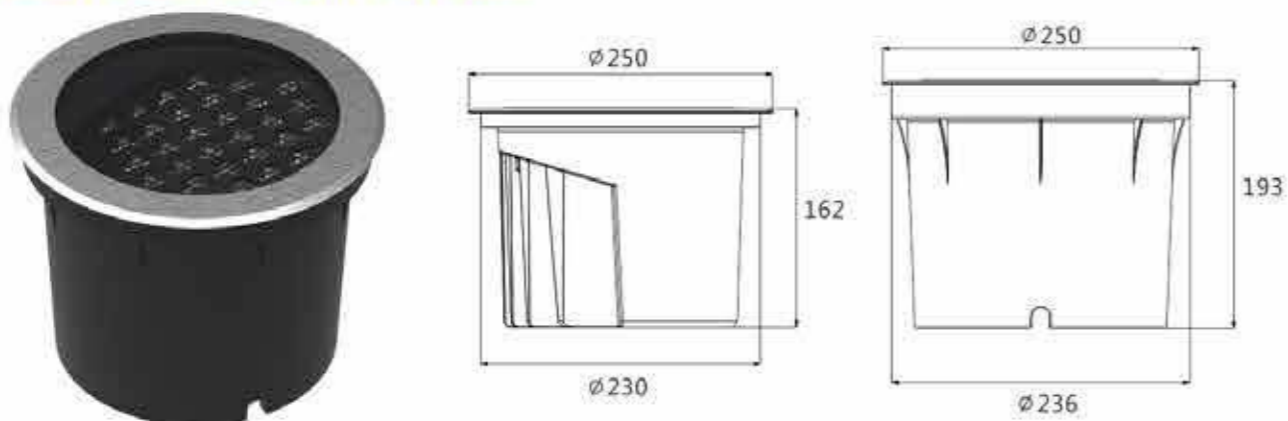
Honeycomb
louver



Honeycomb Grille
& Light Control Cup



25 Degree Inclined Angle To The Wall

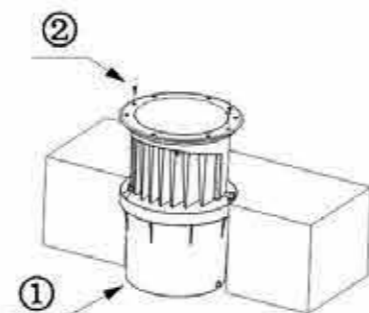


MODEL NO.	POWER	LED QTY	LED COLOR	INPUT VOLT	LENS DEGREE	CUT OUT
BL-IGWL3602	72W	36PCS	2700K-6500K/R/G/B	AC220/DC24V	15°/30°/45°/60° /10°60°/20°45°	250mm
BL-IGWL1803	54W	18PCS	RGB 3in1 DMX512	DC24V		
BL-IGWL1804	72W		RGBW 4in1 DMX512			
BL-IGWL2403	72W	24PCS	RGB 3in1 DMX512			
BL-IGWL2404	96W		RGBW 4in1 DMX512			

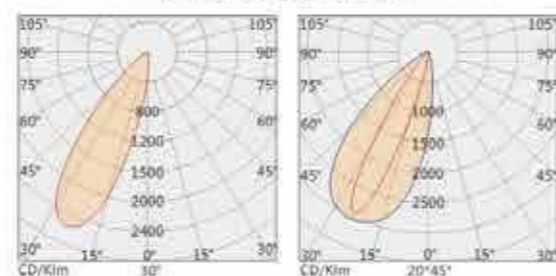
Material Specifications

LED: CREE or EPISTAR LED.
 Housing: 12#ADC Die-casting powder coated aluminum. T=60-80um. Adhesion of ISO class 1/ASTM class 48.
 Front Cover: 304#Stainless Steel---Hard Chromeplated.
 Lens: Optical lens, efficiency ≥90%.
 Glass: Tempered glass. T=8mm.
 Gland: IP68 PVC.
 Gasket: Tooling shaped double silicone seal.
 Power Cable: H05RN--F 2X1.0mm²L=0.5M(low voltage).

Installation Diagram



Photometric Data

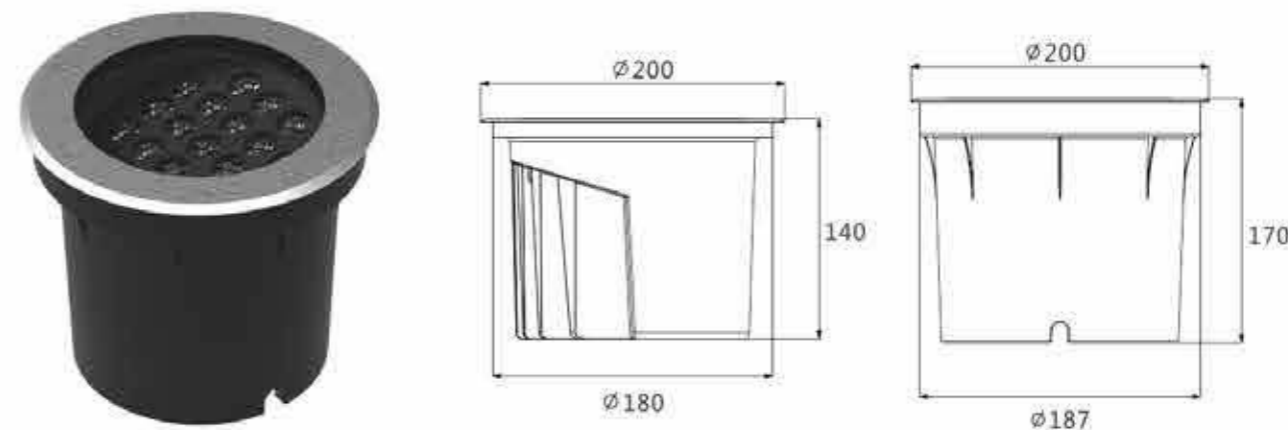


Features

- High colour rendering index
- Excellent thermal management
- Dimmable versions available
- Efficient Spherulit technology

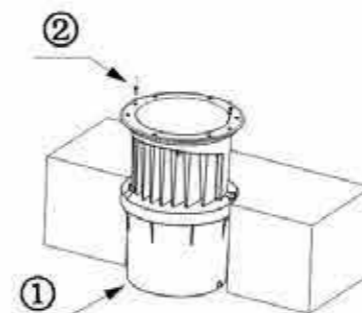


25 Degree Inclined Angle To The Wall

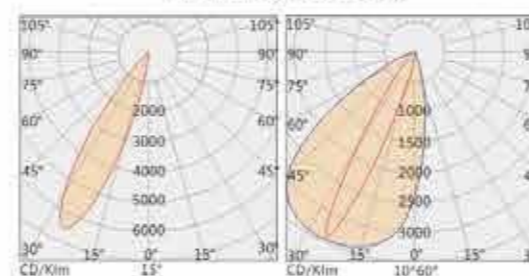


MODEL NO.	POWER	LED QTY	LED COLOR	INPUT VOLT	LENS DEGREE	CUT OUT
BL-IGWL1802	36W	18PCS	2700K-6500K/R/G/B	AC220/DC24V	15°/30°/45°/60° /10°60°/20°45°	200mm
BL-IGWL1203		12PCS	RGB 3in1 DMX512	DC24V		
BL-IGWL1204	48W		RGBW 4in1 DMX512			

Installation Diagram



Photometric Data



Material Specifications

LED: CREE or EPISTAR LED.
 Housing: 12#ADC Die-casting powder coated aluminum. T=60-80um. Adhesion of ISO class 1/ASTM class 48.
 Front Cover: 304#Stainless Steel---Hard Chromeplated.
 Lens: Optical lens, efficiency ≥90%.
 Glass: Tempered glass. T=8mm.
 Gland: IP68 PVC.
 Gasket: Tooling shaped double silicone seal.
 Power Cable: H05RN--F 2X1.0mm²L=0.5M(low voltage).

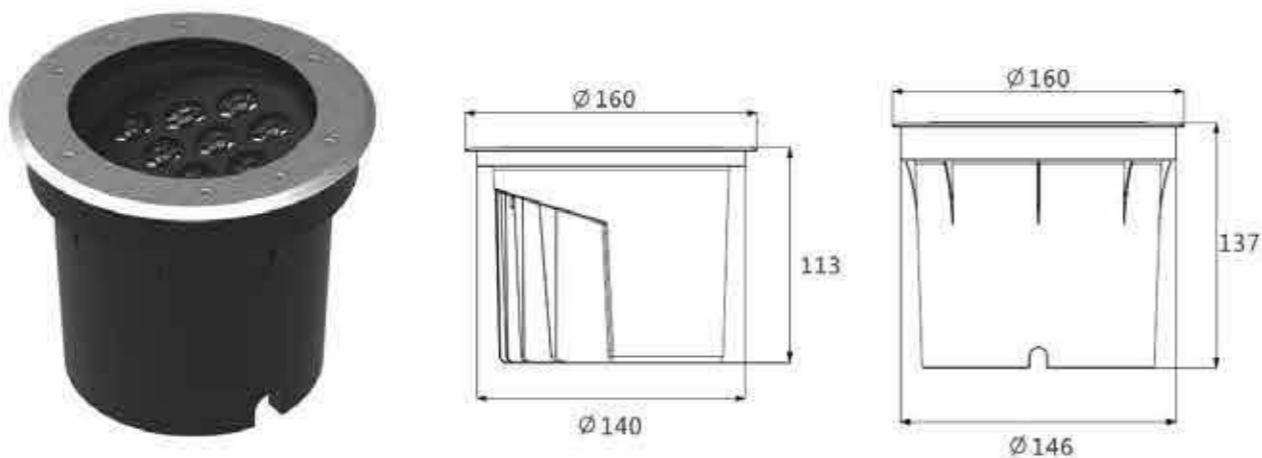


Features

- High colour rendering index
- Excellent thermal management
- Dimmable versions available
- EMC-optimised



25 Degree Inclined Angle To The Wall

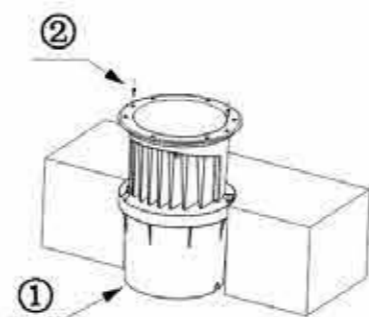


MODEL NO.	POWER	LED QTY	LED COLOR	INPUT VOLT	LENS DEGREE	CUT OUT
BL-IGWL0902	18W	9PCS	2700K-6500K/R/G/B	AC220/DC24V	15°/30°/45°/60° /10°60°/20°45°	160mm
BL-IGWL0603		6PCS	RGB 3in1 DMX512	DC24V		
BL-IGWL0604	24W		RGBW 4in1 DMX512			

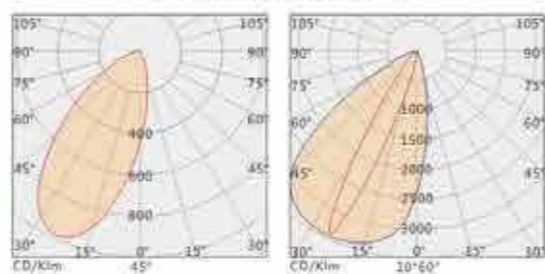
Material Specifications

LED: CREE or EPISTAR LED.
 Housing: 12#ADC Die-casting powder coated aluminum, T=60-80um. Adhesion of ISO class 1/ASTM class 48.
 Front Cover: 304#Stainless Steel---Hard Chromeplated.
 Lens: Optical lens, efficiency ≥90%.
 Glass: Tempered glass, T=8mm.
 Gland: IP68 PVC.
 Gasket: Tooling shaped double silicone seal.
 Power Cable: H05RN--F 2X1.0mm²L=0.5M (low voltage).

Installation Diagram



Photometric Data

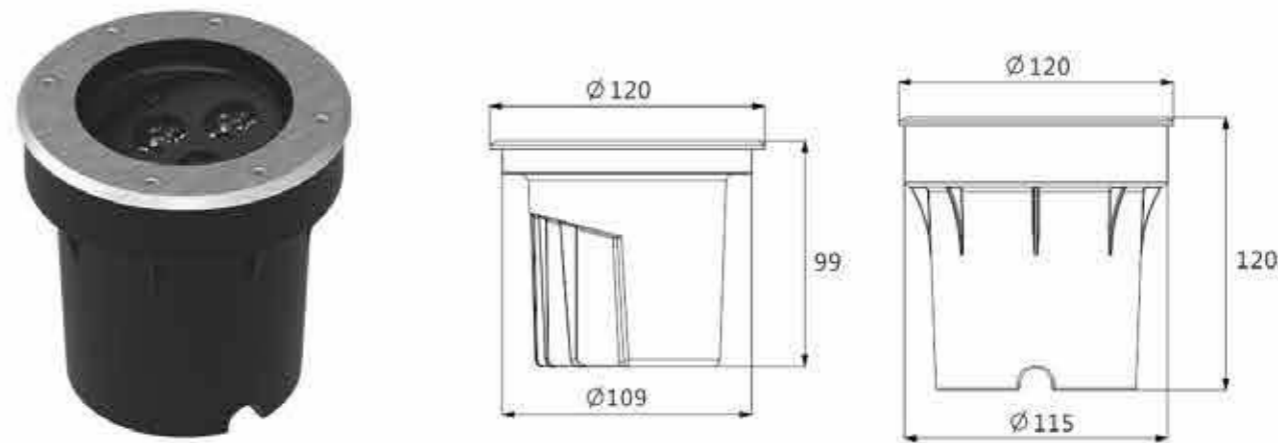


Features

- High colour rendering index
- Excellent thermal management
- Dimmable versions available
- Efficient Spherulit technology

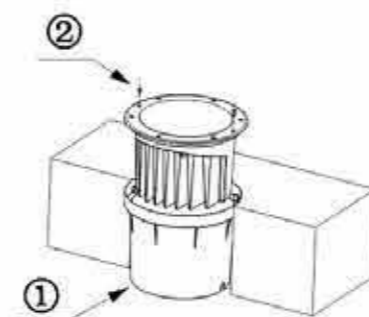


25 Degree Inclined Angle To The Wall

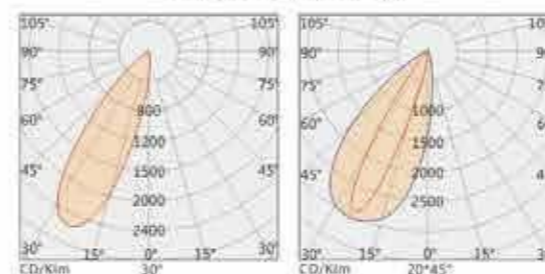


MODEL NO.	POWER	LED QTY	LED COLOR	INPUT VOLT	LENS DEGREE	CUT OUT
BL-IGWL0303A	9W	3PCS	2700K-6500K/R/G/B	AC220/DC24V	15°/30°/45°/60° /10°60°/20°45°	120mm
BL-IGWL0303B			RGB 3in1 DMX512	DC24V		
BL-IGWL0304	12W	RGBW 4in1 DMX512				

Installation Diagram



Photometric Data



Material Specifications

LED: CREE or EPISTAR LED.
 Housing: 12#ADC Die-casting powder coated aluminum, T=60-80um. Adhesion of ISO class 1/ASTM class 48.
 Front Cover: 304#Stainless Steel---Hard Chromeplated.
 Lens: Optical lens, efficiency ≥90%.
 Glass: Tempered glass, T=8mm.
 Gland: IP68 PVC.
 Gasket: Tooling shaped double silicone seal.
 Power Cable: H05RN--F 2X1.0mm²L=0.5M (low voltage).



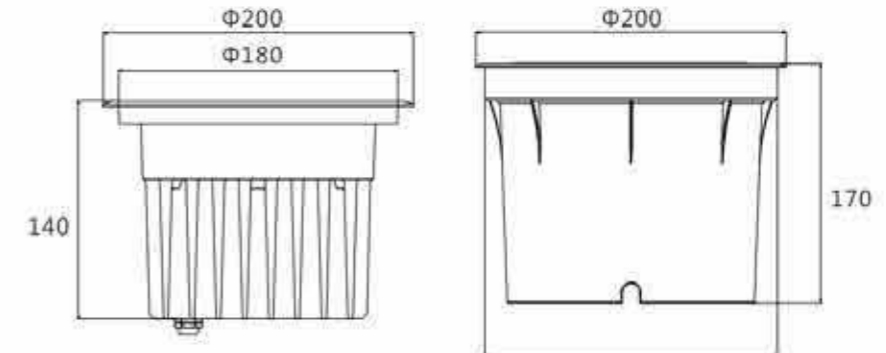
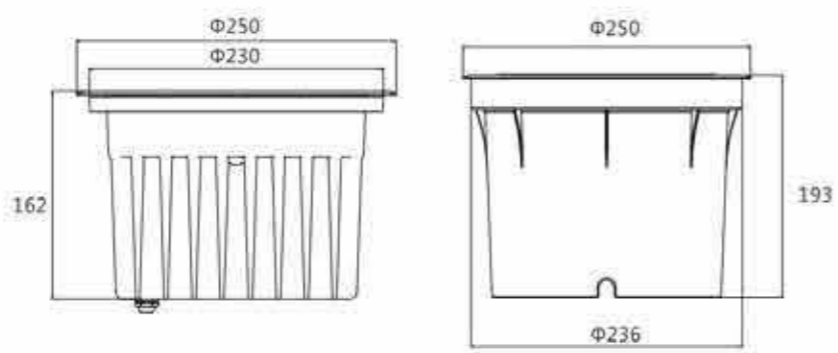
Features

- High colour rendering index
- Excellent thermal management
- Dimmable versions available
- EMC-optimised

IN-GROUND WALLWASHER LIGHT 25 DEGREE INCLINED ANGLE TO THE WALL

SPECIAL HOUSING DESIGNS AND HIGH-QUALITY OPTICAL COMPONENTS SPECIFICALLY FOR DEMANDING VISUAL TASKS TO PROVIDE ENHANCED VISUAL COMFORT. COMPACT ARCHITECTURAL AND STYLISH OUTDOOR INNOVATIVE PROJECTOR FOR VARIETY OF FLOODLIGHTING APPLICATIONS. IDEAL FOR ILLUMINATING LARGE BUILDINGS AND OBJECTS. LUMINAIRES WITH CREE COB OR XP-E/G LEDS PROVIDE EXCELLENT LIGHT QUALITY WITH HIGHLY PRECISE LIGHT DISTRIBUTION, FREE OF COLOUR SHIFTS AND DISTORTION. SPECIAL PCB LAYOUTS ENSURE THE LED MODULES ARE OPTIMALLY MATCHED TO THE OPTICAL SYSTEM OF THE LUMINAIRES. EMIT MORE THAN 90% OF THEIR INITIAL LUMINOUS FLUX UNTIL 50000 OPERATING HOURS. CORROSION-RESISTANT ADC12 = DIE-CASTING ALUMINIUM BODY GIVES THE LUMINAIRE GOOD THERMAL CONDUCTIVITY, AND LARGE AREA CONNECTIONS BETWEEN THE REAR OF THE HOUSING AND THE LED'S PCB ENSURE GOOD HEAT CONDUCTION. STAINLESS STEEL SCREWS, HIGH STRENGTH 4MM TOUGHENED GLASS >92% LIGHT TRANSMITTANCE, EXTREMELY NARROW TO WIDE BEAM OPTIONS. ROTATIONALLY SYMMETRIC LIGHT DISTRIBUTION. INTEGRATED POWER SUPPLY WITH DIMMABLE OPTIONS. SPIKE/POLE//PLATE/ CEILING MOUNTING VERSION ALSO AVAILABLE.





LED IN-GROUND LIGHT

LED IN-GROUND LIGHT

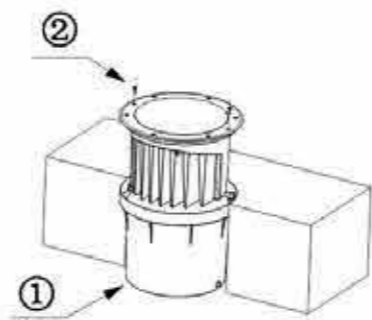
MODEL NO.	POWER	LED QTY	LED COLOR	INPUT VOLT	LENS DEGREE	CUT OUT
BL-IGWD3602	72W	36PCS	2700K-6500K/R/G/B	AC220/DC24V	15°/30°/45°/60° /10°60°/20°45°	250mm
BL-IGWD1803	54W	18PCS	RGB 3in1 DMX512	DC24V		
BL-IGWD1804	72W		RGBW 4in1 DMX512			
BL-IGWD2403	72W	24PCS	RGB 3in1 DMX512			
BL-IGWD2404	96W		RGBW 4in1 DMX512			

MODEL NO.	POWER	LED QTY	LED COLOR	INPUT VOLT	LENS DEGREE	CUT OUT
BL-IGWD1802	36W	18PCS	2700K-6500K/R/G/B	AC220/DC24V	15°/30°/45°/60° /10°60°/20°45°	200mm
BL-IGWD1203		12PCS	RGB 3in1 DMX512	DC24V		
BL-IGWD1204	48W	12PCS	RGBW 4in1 DMX512			

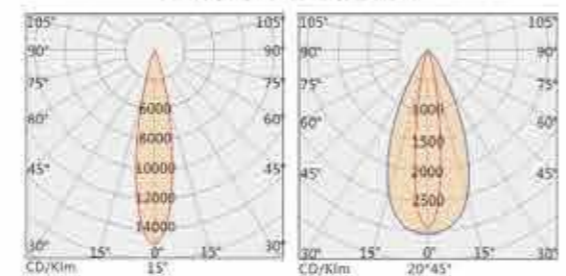
Material Specifications

LED: CREE or EPISTAR LED.
 Housing: 12#ADC Die-casting powder coated aluminum. T=60-80um. Adhesion of ISO class 1/ASTM class 48.
 Front Cover: 304#Stainless Steel---Hard Chromeplated.
 Lens: Optical lens, efficiency ≥90%.
 Glass: Tempered glass. T=8mm.
 Gland: IP68 PVC.
 Gasket: Tooling shaped double silicone seal.
 Power Cable: H05RN--F 2X1.0mm² L=0.5M (low voltage).

Installation Diagram



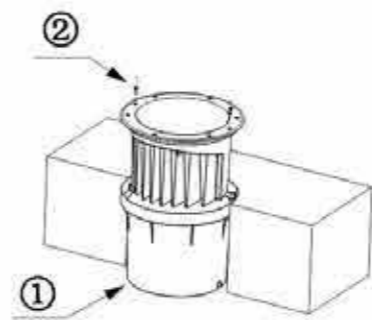
Photometric Data



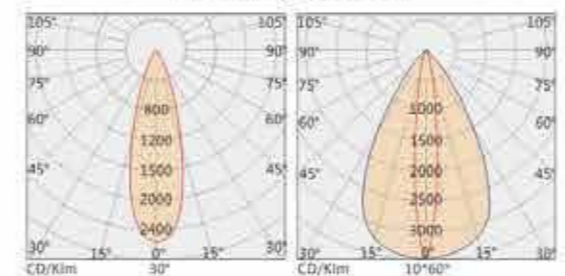
Features

- High colour rendering index
- Excellent thermal management
- Dimmable versions available
- Efficient Spherulit technology

Installation Diagram



Photometric Data



Material Specifications

LED: CREE or EPISTAR LED.
 Housing: 12#ADC Die-casting powder coated aluminum. T=60-80um. Adhesion of ISO class 1/ASTM class 48.
 Front Cover: 304#Stainless Steel---Hard Chromeplated.
 Lens: Optical lens, efficiency ≥90%.
 Glass: Tempered glass. T=8mm.
 Gland: IP68 PVC.
 Gasket: Tooling shaped double silicone seal.
 Power Cable: H05RN--F 2X1.0mm² L=0.5M (low voltage).

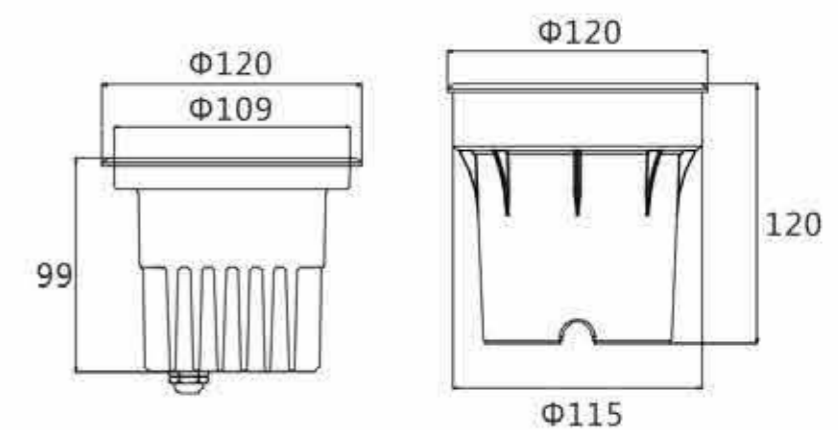
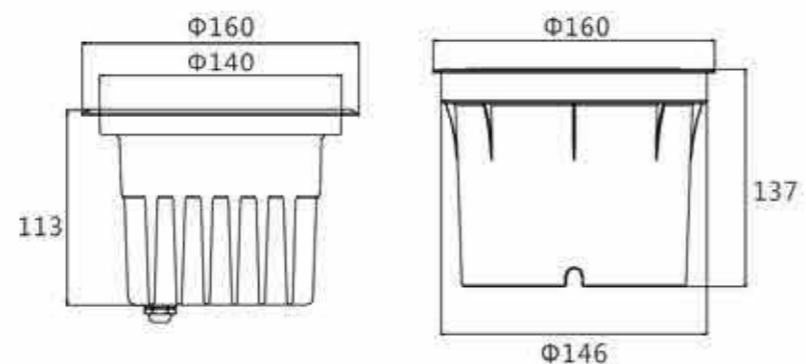
Features

- High colour rendering index
- Excellent thermal management
- Dimmable versions available
- EMC-optimised



● 6000K ● 5000K ● 4000K ● 3000K ● 2700K

RGB 3in1 RGBW 4in1 CREE DMX512 DC24V AC220V Waterproof Connector DALI/0-10V TRIAC IP67 IK09 CRI>80/90



LED IN-GROUND LIGHT

LED IN-GROUND LIGHT

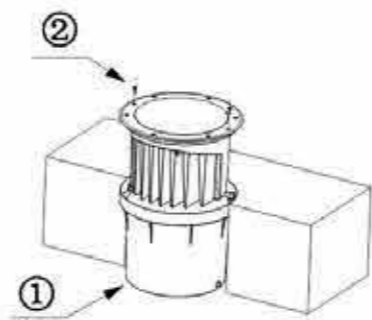
MODEL NO.	POWER	LED QTY	LED COLOR	INPUT VOLT	LENS DEGREE	CUT OUT
BL-IGWD0902	18W	9PCS	2700K-6500K/R/G/B	AC220/DC24V	15°/30°/45°/60° /10°60°/20°45°	160mm
BL-IGWD0803			RGB 3in1 DMX512	DC24V		
BL-IGWD0604	24W	6PCS	RGBW 4in1 DMX512			

MODEL NO.	POWER	LED QTY	LED COLOR	INPUT VOLT	LENS DEGREE	CUT OUT
BL-IGWD0402	9W	4PCS	2700K-6500K/R/G/B	AC220/DC24V	15°/30°/45°/60° /10°60°/20°45°	120mm
BL-IGWD0403	12W		RGB 3in1 DMX512	DC24V		
BL-IGWD0404	16W		RGBW 4in1 DMX512			

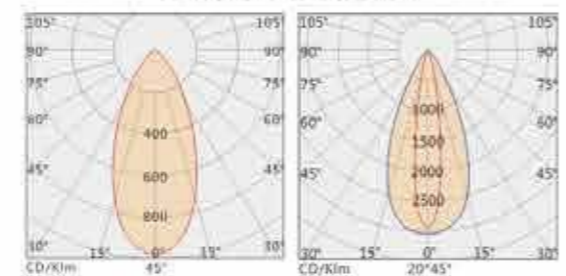
Material Specifications

LED: CREE or EPISTAR LED.
 Housing: 12#ADC Die-casting powder coated aluminum. T=60-80um. Adhesion of ISO class 1/ASTM class 48.
 Front Cover: 304#Stainless Steel---Hard Chromeplated.
 Lens: Optical lens, efficiency ≥90%.
 Glass: Tempered glass. T=8mm.
 Gland: IP68 PVC.
 Gasket: Tooling shaped double silicone seal.
 Power Cable: H05RN--F 2X1.0mm² L=0.5M (low voltage).

Installation Diagram



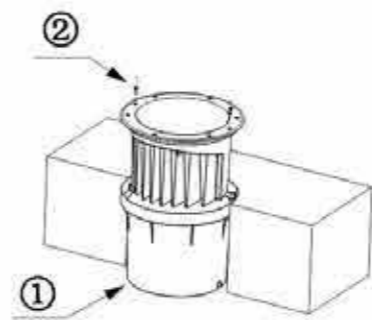
Photometric Data



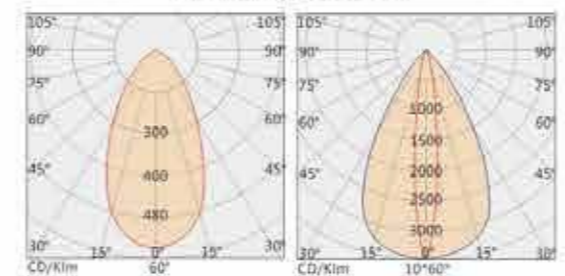
Features

- High colour rendering index
- Excellent thermal management
- Dimmable versions available
- Efficient Spherulit technology

Installation Diagram



Photometric Data



Material Specifications

LED: CREE or EPISTAR LED.
 Housing: 12#ADC Die-casting powder coated aluminum. T=60-80um. Adhesion of ISO class 1/ASTM class 48.
 Front Cover: 304#Stainless Steel---Hard Chromeplated.
 Lens: Optical lens, efficiency ≥90%.
 Glass: Tempered glass. T=8mm.
 Gland: IP68 PVC.
 Gasket: Tooling shaped double silicone seal.
 Power Cable: H05RN--F 2X1.0mm² L=0.5M (low voltage).

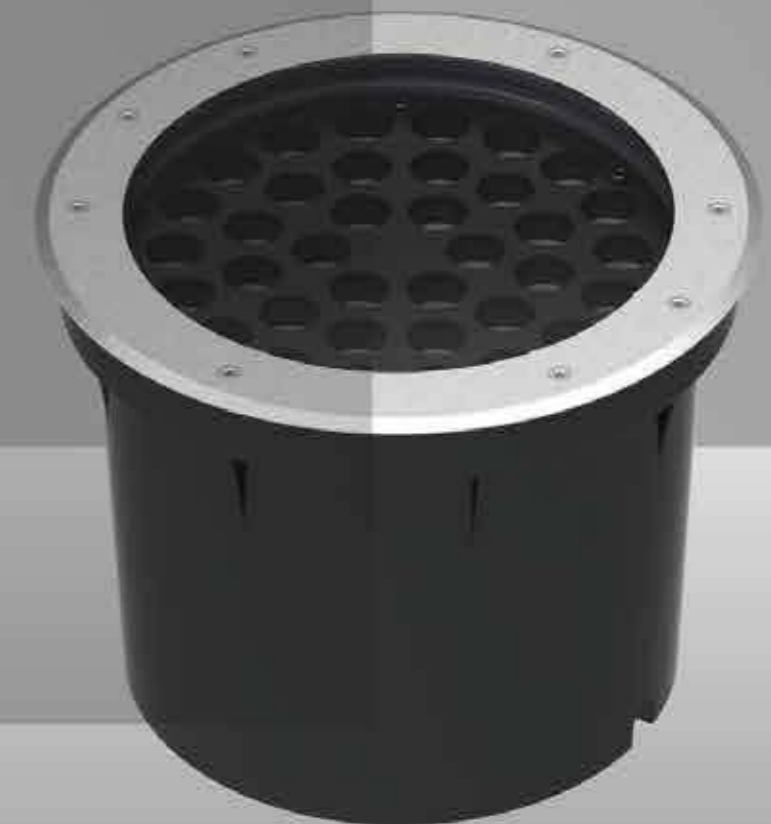


Features

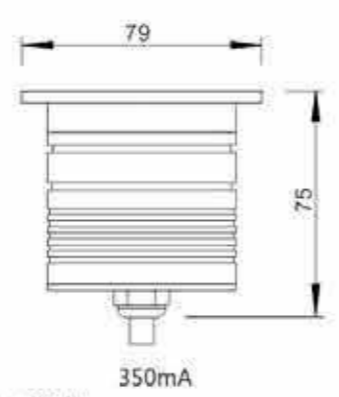
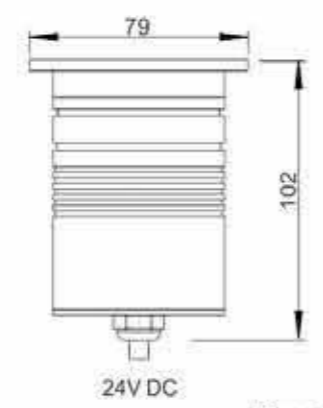
- High colour rendering index
- Excellent thermal management
- Dimmable versions available
- EMC-optimised

IN-GROUND UP LIGHT

SPECIAL HOUSING DESIGNS AND HIGH-QUALITY OPTICAL COMPONENTS SPECIFICALLY FOR DEMANDING VISUAL TASKS TO PROVIDE ENHANCED VISUAL COMFORT. COMPACT ARCHITECTURAL AND STYLISH OUTDOOR INNOVATIVE PROJECTOR FOR VARIETY OF FLOODLIGHTING APPLICATIONS. IDEAL FOR ILLUMINATING LARGE BUILDINGS AND OBJECTS. LUMINAIRES WITH CREE COB OR XP-E/G LEDS PROVIDE EXCELLENT LIGHT QUALITY WITH HIGHLY PRECISE LIGHT DISTRIBUTION, FREE OF COLOUR SHIFTS AND DISTORTION. SPECIAL PCB LAYOUTS ENSURE THE LED MODULES ARE OPTIMALLY MATCHED TO THE OPTICAL SYSTEM OF THE LUMINAIRES. EMIT MORE THAN 90% OF THEIR INITIAL LUMINOUS FLUX UNTIL 50000 OPERATING HOURS. CORROSION-RESISTANT ADC12 = DIE-CASTING ALUMINIUM BODY GIVES THE LUMINAIRE GOOD THERMAL CONDUCTIVITY, AND LARGE AREA CONNECTIONS BETWEEN THE REAR OF THE HOUSING AND THE LED'S PCB ENSURE GOOD HEAT CONDUCTION. STAINLESS STEEL SCREWS, HIGH STRENGTH 4MM TOUGHENED GLASS >92% LIGHT TRANSMITTANCE, EXTREMELY NARROW TO WIDE BEAM OPTIONS. ROTATIONALLY SYMMETRIC LIGHT DISTRIBUTION. INTEGRATED POWER SUPPLY WITH DIMMABLE OPTIONS. SPIKE/POLE//PLATE/ CEILING MOUNTING VERSION ALSO AVAILABLE.



● 6000K ● 5000K ● 4000K ● 3000K ● 2700K



Physical Dimension(MM)

MODEL NO.	POWER	LED COLOR	INPUT	LED LUMENS	BEAM ANGLE	CUT OUT
BL-UPL0712A	7W	2700K/3000K /4000K	24V DC	750lm	15° / 25° 38° / 60°	D65
BL-UPL0712B						
BL-UPL0712C						
BL-UPL0711A	7W		350mA			
BL-UPL0711B						
BL-UPL0711C						

Material Specifications

LED: CITIZEN or CREE COB .
 Housing: 12#ADC Die-casting powder coated aluminum. T=60-80um. Adhesion of ISO class 1/ASTM class48.
 Front Cover: 316#Stainless Steel---Hard Chromeplated.
 Lens: Optical lens, efficiency≥90%.
 Glass: Tempered glass. T=8mm.
 Driver: Constant current output, Constant current output.
 Gland: IP68 PVC.
 Gasket: Tooling shaped double silicone seal.
 Power Cable: H05RN--F 2X1.0mm²L=0.5M(low voltage).

Optional Model



BL-UPL0712B



BL-UPL0712C



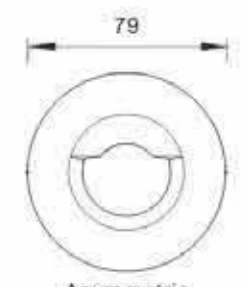
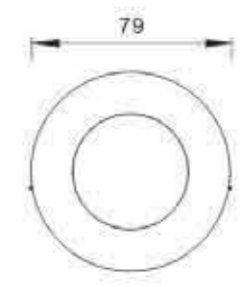
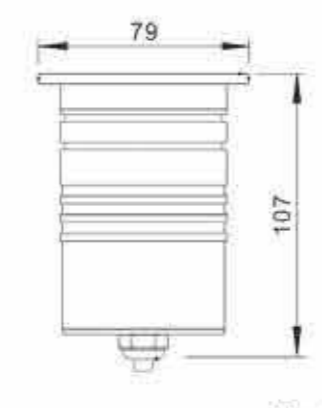
Mounting sleeve



Features

- High colour rendering index
- Excellent thermal management
- Dimmable versions available
- Available in round or square

CITIZEN CREE DALI/0-10V TRIAC IP67 IK09 CRI>80/90 SS316
 Waterproof Connector



Physical Dimension(MM)

MODEL NO.	POWER	LED COLOR	INPUT VOLT	LED LUMENS	BEAM ANGLE	CUT OUT
BL-UPL0512A	5W	2700K/3000K /4000K	24V DC	550lm	15° / 24° / 36°	D65
BL-UPL0512B					Asymmetric	

Material Specifications

LED: CITIZEN or CREE COB .
 Housing: 12#ADC Die-casting powder coated aluminum. T=60-80um. Adhesion of ISO class 1/ASTM class48.
 Front Cover: 316#Stainless Steel---Hard Chromeplated.
 Lens: Optical lens, efficiency≥90%.
 Glass: Tempered glass. T=8mm.
 Driver: Constant current output, Constant current output.
 Gland: IP68 PVC.
 Gasket: Tooling shaped double silicone seal.
 Power Cable: H05RN--F 2X1.0mm²L=0.5M(low voltage).

Optional Model



BL-UPL0512B



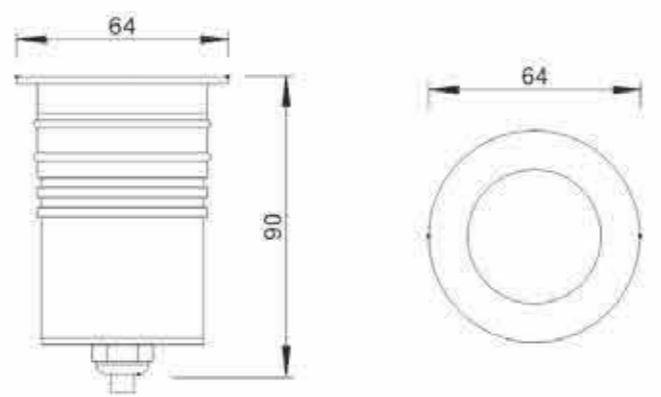
Mounting sleeve



Features

- High colour rendering index
- Excellent thermal management
- Dimmable versions available
- EMC-optimised

● 6000K ● 5000K ● 4000K ● 3000K ● 2700K



Physical Dimension(MM)

MODEL NO.	POWER	LED COLOR	INPUT VOLT	LED LUMENS	BEAM ANGLE	CUT OUT
BL-UPL0412A	3W	2700K/3000K /4000K	12V/24V DC	350lm	3° / 6° / 10° / 20° / 40°	D52
BL-UPL0412B						
BL-UPL0412C						

Material Specifications

LED: CITIZEN or CREE COB .
 Housing: 12#ADC Die-casting powder coated aluminum. T=60-80um. Adhesion of ISO class 1/ASTM class48.
 Front Cover: 316#Stainless Steel---Hard Chromeplated.
 Lens: Optical lens, efficiency≥90%.
 Glass: Tempered glass. T=8mm.
 Driver: Constant current output, Constant current output.
 Gland: IP68 PVC.
 Gasket: Tooling shaped double silicone seal.
 Power Cable: H05RN--F 2X1.0mm²L=0.5M(low voltage).



Features

- High colour rendering index
- Excellent thermal management
- Dimmable versions available
- Available in round or square

Optional Model



BL-UPL0412B

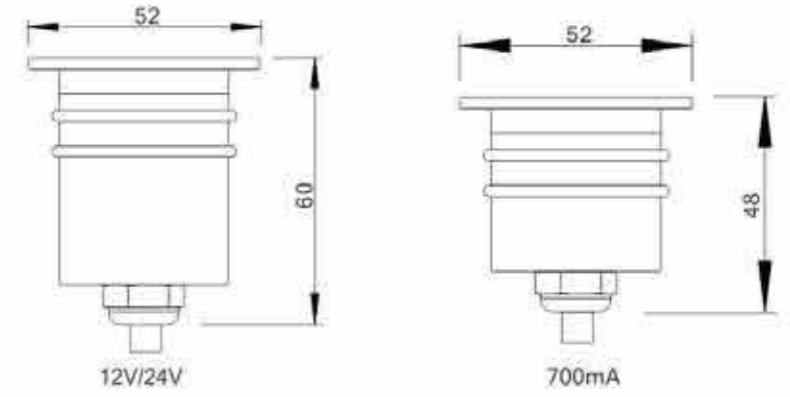


BL-UPL0412C



Mounting sleeve

CITIZEN CREE DMX512 DC24V AC220V Waterproof Connector DALI/0-10V TRIAC IP67 IK09 CRI>80/90 SS316



Physical Dimension(MM)

MODEL NO	POWER	LED COLOR	INPUT	LED LUMENS	BEAM ANGLE	CUT OUT
BL-UPL0312A	2W	2700K/3000K /4000K	12V/24V DC	200lm	10° / 15° / 21° / 36° / 60°	D40
BL-UPL0312B						
BL-UPL0312C						
BL-UPL0311A	3W		700mA	250lm		
BL-UPL0311B						
BL-UPL0311C						

Material Specifications

LED: CITIZEN or CREE COB .
 Housing: 12#ADC Die-casting powder coated aluminum. T=60-80um. Adhesion of ISO class 1/ASTM class48.
 Front Cover: 316#Stainless Steel---Hard Chromeplated.
 Lens: Optical lens, efficiency≥90%.
 Glass: Tempered glass. T=8mm.
 Driver: Constant current output, Constant current output.
 Gland: IP68 PVC.
 Gasket: Tooling shaped double silicone seal.
 Power Cable: H05RN--F 2X1.0mm²L=0.5M(low voltage).



Features

- High colour rendering index
- Excellent thermal management
- Dimmable versions available
- EMC-optimised

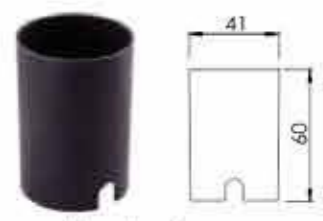
Optional Model



BL-UPL0312B

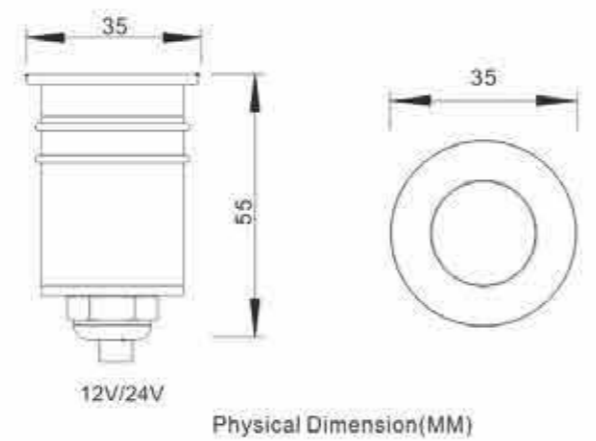


BL-UPL0312C



Mounting sleeve

● 6000K ● 5000K ● 4000K ● 3000K ● 2700K



Physical Dimension(MM)

MODEL NO.	POWER	LED COLOR	INPUT VOLT	LED LUMENS	BEAM ANGLE	CUT OUT
BL-UPL0112A	1W	2700K/3000K /4000K	12V/24V DC	120lm	25°/40° /60°	D30
BL-UPL0112B						
BL-UPL0112C						

Material Specifications

LED: CITIZEN or CREE COB .
 Housing: 12#ADC Die-casting powder coated aluminum. T=60-80um. Adhesion of ISO class 1/ASTM class48.
 Front Cover: 316#Stainless Steel---Hard Chromeplated.
 Lens: Optical lens, efficiency≥90%.
 Glass: Tempered glass. T=8mm.
 Driver: Constant current output, Constant current output.
 Gland: IP68 PVC.
 Gasket: Tooling shaped double silicone seal.
 Power Cable: H05RN--F 2X1.0mm²L=0.5M(low voltage).



Optional Model



BL-UPL0112B



BL-UPL0112C

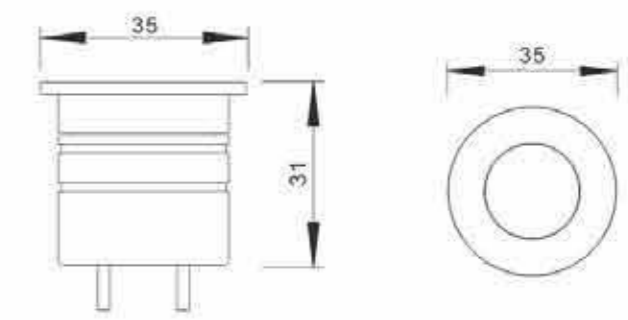


Mounting sleeve

Features

- High colour rendering index
- Excellent thermal management
- Dimmable versions available
- Available in round or square

CITIZEN CREE DALI/0-10V TRIAC IP67 IK09 CRI>80/90 SS316
 Waterproof Connector



Physical Dimension(MM)

MODEL NO	POWER	LED COLOR	INPUT	LED LUMENS	BEAM ANGLE	CUT OUT
BL-UPL0113A	0.5W	2200K/2700K /3000K	24V DC	75lm	120°	D30
BL-UPL0113B						
BL-UPL0113C						
BL-UPL0111A	1W	2200K/2700K /3000K	350mA	120lm	25°/40° /60°	D30
BL-UPL0111B						
BL-UPL0111C						

Material Specifications

LED: CITIZEN or CREE COB .
 Housing: 12#ADC Die-casting powder coated aluminum. T=60-80um. Adhesion of ISO class 1/ASTM class48.
 Front Cover: 316#Stainless Steel---Hard Chromeplated.
 Lens: Optical lens, efficiency≥90%.
 Glass: Tempered glass. T=8mm.
 Driver: Constant current output, Constant current output.
 Gland: IP68 PVC.
 Gasket: Tooling shaped double silicone seal.
 Power Cable: H05RN--F 2X1.0mm²L=0.5M(low voltage).



Optional Model



BL-UPL0113B



BL-UPL0113C

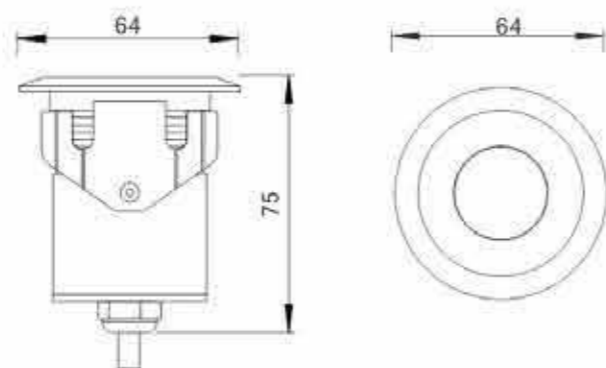


Mounting sleeve

Features

- High colour rendering index
- Excellent thermal management
- Dimmable versions available
- EMC-optimised

● 6000K ● 5000K ● 4000K ● 3000K ● 2700K



Physical Dimension(MM)

MODEL NO.	POWER	LED COLOR	INPUT VOLT	LENS DEGREE	SIZE	CUT OUT
BL-UPL0103	1*1W	3000K/4000K/5000K /R/G/B	12V/24V DC	20°/40°/60°	64*75mm	51mm
BL-UPL0303	1*3W					

Material Specifications

LED: CITIZEN or CREE COB
 Housing: CNC 6063# aluminum, Matt silver/black anodized Finish or powder coated.
 Front Cover: 316#Stainless Steel---Hard Chromeplated.
 Lens: Optical lens, efficiency ≥ 90%.
 Glass: Tempered glass, T=8mm.
 Driver: Constant current output, Constant current output.
 Gland: IP68 PVC.
 Gasket: Tooling shaped double silicone seal.
 Power Cable: H05RN--F 2X1.0mm²L=0.5M(low voltage).

Optional Model



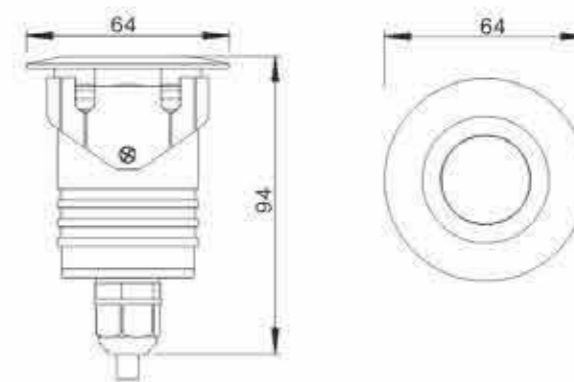
Mounting sleeve



Features

- High colour rendering index
- Excellent thermal management
- Dimmable versions available
- Available in round or square

CITIZEN CREE DALI/0-10V TRIAC IP67 IK09 CRI>80/90 SS316
 Waterproof Connector



Physical Dimension(MM)

MODEL NO	POWER	LED COLOR	INPUT VOLT	LENS DEGREE	SIZE	CUT OUT
BL-UPL0501	1*5W	3000K / 4000K / 5000K	12V/24V AC/DC	24°/40°/60°	64*94mm	51mm
BL-UPL0301	1*3W	3000K/4000K/5000K /R/G/B		20°/40°/60°		

Material Specifications

LED: CITIZEN or CREE COB
 Housing: CNC 6063# aluminum, Matt silver/black anodized Finish or powder coated.
 Front Cover: 316#Stainless Steel---Hard Chromeplated.
 Lens: Optical lens, efficiency ≥ 90%.
 Glass: Tempered glass, T=8mm.
 Driver: Constant current output, Constant current output.
 Gland: IP68 PVC.
 Gasket: Tooling shaped double silicone seal.
 Power Cable: H05RN--F 2X1.0mm²L=0.5M(low voltage).

Optional Model



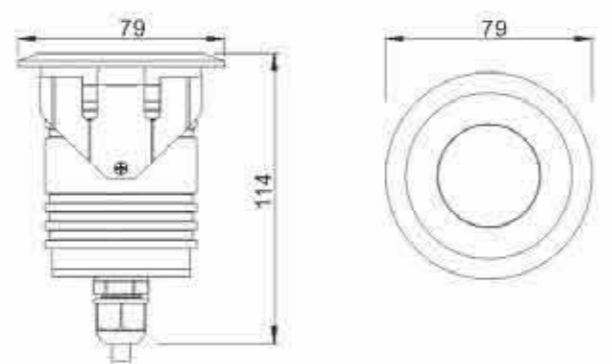
Mounting sleeve



Features

- High colour rendering index
- Excellent thermal management
- Dimmable versions available
- EMC-optimised

● 6000K ● 5000K ● 4000K ● 3000K ● 2700K



Physical Dimension(MM)

MODEL NO.	POWER	LED COLOR	INPUT VOLT	LENS DEGREE	SIZE	CUT OUT
BL-UPL0902A	1*9W	3000K/4000K/5000K	12V/24V AC/DC	20° / 30° / 38°	79*114mm	65mm
BL-UPL0902B						

Material Specifications

LED: CITIZEN or CREE COB.
 Housing: CNC 6063# aluminum, Matt silver/black anodized Finish or powder coated.
 Front Cover: 316#Stainless Steel---Hard Chromeplated.
 Lens: Optical lens, efficiency≥90%.
 Glass: Tempered glass, T=8mm.
 Driver: Constant current output, Constant current output.
 Gland: IP68 PVC.
 Gasket: Tooling shaped double silicone seal.
 Power Cable: H05RN--F 2X1.0mm²L=0.5M(low voltage).

Optional Model



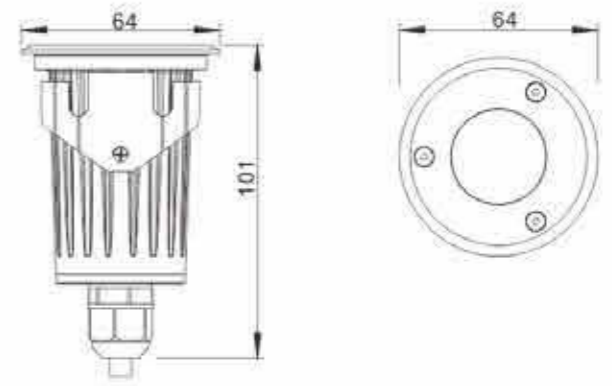
Mounting sleeve



Features

- High colour rendering index
- Excellent thermal management
- Dimmable versions available
- Available in round or square

CITIZEN CREE DALI/0-10V TRIAC IP67 IK09 CRI>80/90 SS316
 Waterproof Connector



Physical Dimension(MM)

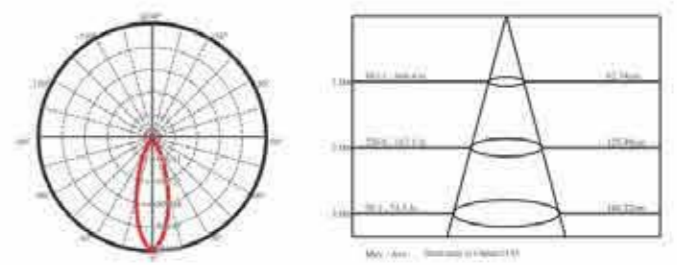
MODEL NO	POWER	LED COLOR	INPUT VOLT	LENS DEGREE	SIZE	CUT OUT
BL-UPL0501D	1*5W	3000K / 4000K / 5000K	12V/24V AC/DC	24° / 40° / 60°	64*101mm	57mm
BL-UPL0301D	1*3W	3000K/4000K/5000K /R/G/B		20° / 40° / 60°		

Material Specifications

LED: CITIZEN or CREE COB .
 Housing: 12#ADC Die-casting powder coated aluminum, T=60-80um. Adhesion of ISO class 1/ASTM class48.
 Front Cover: 316#Stainless Steel---Hard Chromeplated.
 Lens: Optical lens, efficiency≥90%.
 Glass: Tempered glass, T=8mm.
 Driver: Constant current output, Constant current output.
 Gland: IP68 PVC.
 Gasket: Tooling shaped double silicone seal.
 Power Cable: H05RN--F 2X1.0mm²L=0.5M(low voltage).



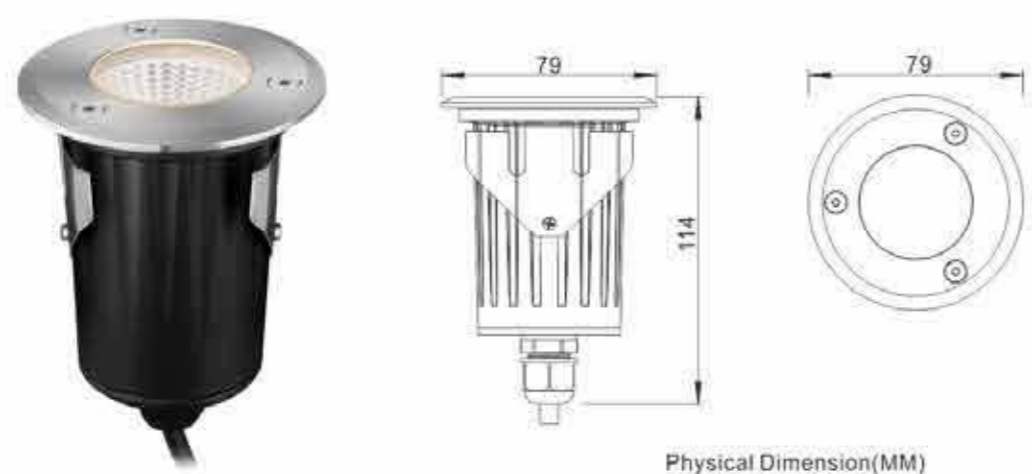
Square Cover Mounting sleeve



Features

- High colour rendering index
- Excellent thermal management
- Dimmable versions available
- EMC-optimised

● 6000K ● 5000K ● 4000K ● 3000K ● 2700K

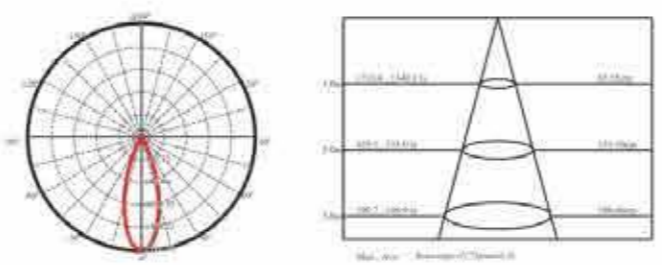


Physical Dimension(MM)

MODEL NO.	POWER	LED COLOR	INPUT VOLT	LENS DEGREE	SIZE	CUT OUT
BL-UPL0901	1*9W	3000K/4000K/5000K	12V/24V AC/DC	20°/30°/38°	79*114mm	70mm
BL-UPL0801	3*3W	3000K/4000K/5000K /R/G/B		25°/40°/60°		

Material Specifications

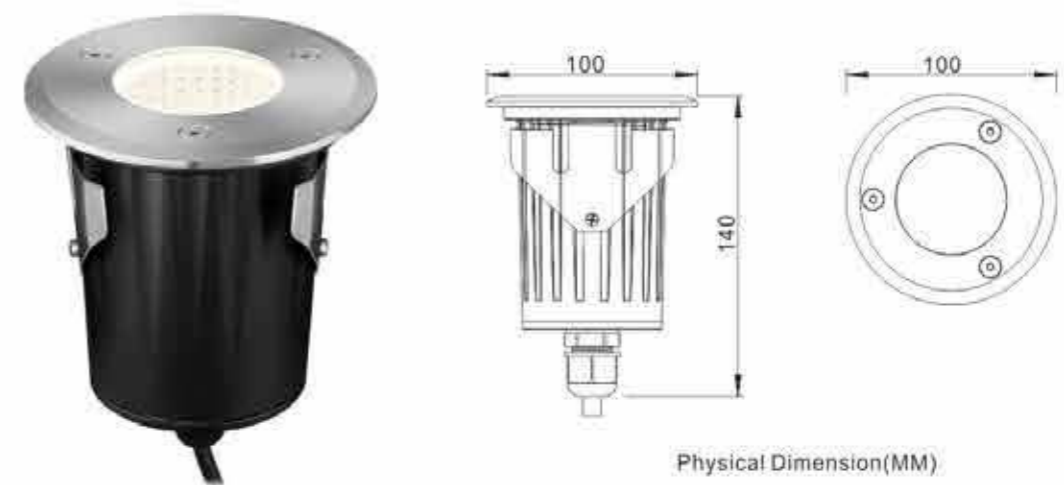
LED: CITIZEN or CREE LED.
 Housing: 12#ADC Die-casting powder coated aluminum. T=60-80um. Adhesion of ISO class 1/ASTM class 48.
 Front Cover: 316#Stainless Steel---Hard Chromeplated.
 Lens: Optical lens, efficiency≥90%.
 Glass: Tempered glass. T=8mm.
 Driver: Constant current output, Constant current output.
 Gland: IP68 PVC.
 Gasket: Tooling shaped double silicone seal.
 Power Cable: H05RN--F 2X1.0mm²L=0.5M(low voltage).



Features

- High colour rendering index
- Excellent thermal management
- Dimmable versions available
- Available in round or square

CITIZEN CREE DMX512 DC24V AC220V Waterproof Connector DALI/0-10V TRIAC IP67 IK09 CRI>80/90 SS316

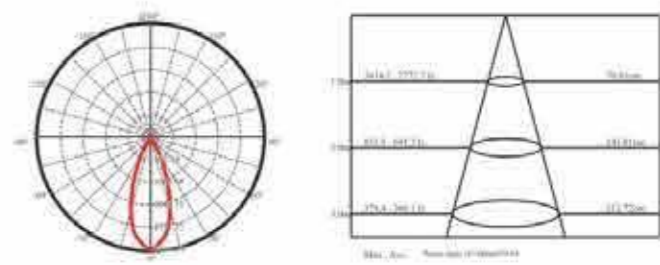


Physical Dimension(MM)

MODEL NO	POWER	LED COLOR	INPUT VOLT	LENS DEGREE	SIZE	CUT OUT
BL-UPL1501A	1*15W	3000K/4000K/5000K	24V AC/DC	15°/24°/38°/60°	100*140mm	D85mm
BL-UPL1501B						

Material Specifications

LED: CITIZEN or CREE COB .
 Housing: 12#ADC Die-casting powder coated aluminum. T=60-80um. Adhesion of ISO class 1/ASTM class 48.
 Front Cover: 316#Stainless Steel---Hard Chromeplated.
 Lens: Optical lens, efficiency≥90%.
 Glass: Tempered glass. T=8mm.
 Driver: Constant current output, Constant current output.
 Gland: IP68 PVC.
 Gasket: Tooling shaped double silicone seal.
 Power Cable: H05RN--F 2X1.0mm²L=0.5M(low voltage).



Features

- High colour rendering index
- Excellent thermal management
- Dimmable versions available
- EMC-optimised

RECESSED INGROUND UPLIGHT

SPECIAL HOUSING DESIGNS AND HIGH-QUALITY OPTICAL COMPONENTS SPECIFICALLY FOR DEMANDING VISUAL TASKS TO PROVIDE ENHANCED VISUAL COMFORT. COMPACT ARCHITECTURAL AND STYLISH OUTDOOR INNOVATIVE PROJECTOR FOR VARIETY OF FLOODLIGHTING APPLICATIONS. IDEAL FOR ILLUMINATING LARGE BUILDINGS AND OBJECTS.

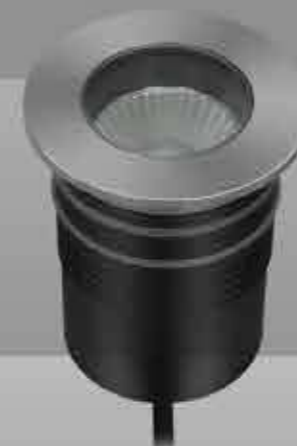
LUMINAIRE WITH CREE COB OR XP-E/G LEDS PROVIDE EXCELLENT LIGHT QUALITY WITH HIGHLY PRECISE LIGHT DISTRIBUTION, FREE OF COLOUR SHIFTS AND DISTORTION. SPECIAL PCB LAYOUTS ENSURE THE LED MODULES ARE OPTIMALLY MATCHED TO THE OPTICAL SYSTEM OF THE LUMINAIRE. EMIT MORE THAN 90% OF THEIR INITIAL LUMINOUS FLUX UNTIL 50000 OPERATING HOURS. CORROSION-RESISTANT ADC12 DIE-CASTING ALUMINIUM BODY GIVES THE LUMINAIRE GOOD THERMAL CONDUCTIVITY, AND LARGE AREA CONNECTIONS BETWEEN THE REAR OF THE HOUSING AND THE LED'S PCB ENSURE GOOD HEAT CONDUCTION.

STAINLESS STEEL SCREWS, HIGH STRENGTH 4MM TOUGHENED GLASS >92% LIGHT TRANSMITTANCE.

EXTREMELY NARROW TO WIDE BEAM OPTIONS. ROTATIONALLY SYMMETRIC LIGHT DISTRIBUTION.

INTEGRATED POWER SUPPLY WITH DIMMABLE OPTIONS.

SPIKE/POLE//PLATE/ CEILING MOUNTING VERSION ALSO AVAILABLE.



● 6000K ● 5000K ● 4000K ● 3000K ● 2700K

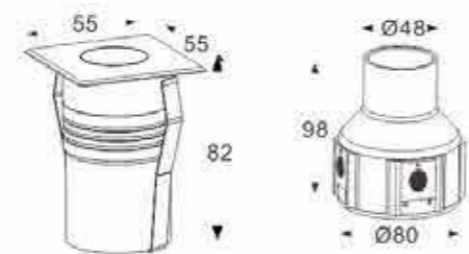


Mounting sleeve

MODEL NO.	POWER	LED COLOR	INPUT VOLT	LENS DEGREE	SIZE	CUT OUT
BL-IGL0102B	1*2W	2700K-6500K/R/G/B	24V/12V DC 240V/120V AC	10°/25°/45°/60° 45 35°, 120°	55*82mm	48mm
BL-IGL0103B	1*3W	RGB3in1,DMX512	24V/12V DC			
BL-IGL0104	1*4W	RGBW4in1,DMX512				

Material Specifications

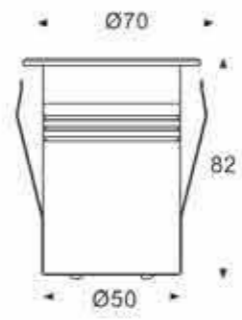
LED: CREE/OSRAM/EPISTAR.
 Front cover :Stainless steel SUS316#
 Housing: 12# Die-casting grey powder coated aluminum. T=60-80µm
 Adhesion of ISO class 1/ASTM class 4B high temperature painting
 Driver: Constant current output, Constant current output
 Glass: Step tempered glass
 Mounting sleeve: ABS
 Power Cable: H05RN-F 2*1.0mm² (low voltage). H05RN-F 3*0.75mm² (high voltage). H05RN-F 4*0.75mm² (RGB). H05RN-F 5*0.5mm² (RGBW)
 Dimmable support: Triac/PWM/0-10V/DALI/DMX512 (internal)



Features

- High colour rendering index
- Excellent thermal management
- Dimmable versions available
- Available in round or square

RGB 3 in 1 RGBW 4 in 1 CREE ⇄ DMX512 DC24V AC220V Waterproof Component DALI/0-10V TRIAC IP67 IK08 CRI>80/90 SS316



Mounting sleeve

MODEL NO.	POWER	LED COLOR	INPUT VOLT	LENS DEGREE	SIZE	CUT OUT
BL-IGL0105	1*5W	2700K-6500K/R/G/B	24V DC 240V/120V AC	18°/24°/38°/60°	70*82mm	59mm
BL-IGL0103C	1*3W	RGB3in1,DMX512	24V/12VDC			
BL-IGL0106A	1*6W	RGBW4in1,DMX512	24V DC			

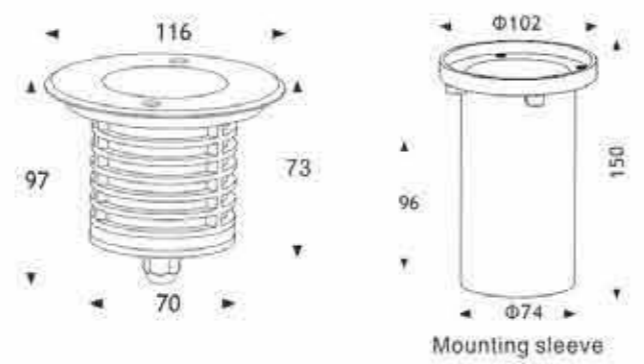
Material Specifications

LED: CREE COB/ EPISTAR LED.
 Front cover :Stainless steel SUS316#
 Housing: 12# Die-casting grey powder coated aluminum. T=60-80µm
 Adhesion of ISO class 1/ASTM class 4B high temperature painting
 Driver: Constant current output, Constant current output
 Glass: Step tempered glass
 Mounting sleeve: ABS
 Power Cable: H05RN-F 2*1.0mm² (low voltage). H05RN-F 3*0.75mm² (high voltage). H05RN-F 4*0.75mm² (RGB). H05RN-F 5*0.5mm² (RGBW)
 Dimmable support: Triac/PWM/0-10V/DALI/DMX512 (internal)



Features

- High colour rendering index
- Excellent thermal management
- Dimmable versions available
- EMC-optimised



MODEL NO.	POWER	LED COLOR	INPUT VOLT	LENS DEGREE	SIZE	CUT OUT
BL-IGL0106B	1*6W	2700K-6500K/R/G/B	24V DC 240V/120V AC	18°/24°/38°/60°	116*76mm	102mm
BL-IGL0302A	3*2W	2700K-6500K/R/G/B	24V/12V DC 240V/120V AC	10°/25°/45°/60° 45 35°		
BL-IGL0302B		RGB,DMX512	24V /12V DC			
BL-IGL0303	3*3W	RGB3in1,DMX512				
BL-IGL0110	1*10W	2700K-6500K /R/G/B	24V DC 240V/120V AC	18°/24°/38°/60°	116*98mm	102mm
BL-IGL0115	1*15W					

Material Specifications

LED:CREE/OSRAM/EPISTAR.
 Front cover :Stainless steel SUS316#
 Housing:12# Die-casting grey powder coated aluminum.T=60-80µm
 Adhesion of ISO class 1/ASTM class 4B high temperature painting
 Driver:Constant current output,Constant current output
 Glass:Step tempered glass
 Mounting sleeve:ABS
 Power Cable:H05RN-F 2*1.0mm² (low voltage).H05RN-F 3*0.75mm² (high voltage).H05RN-F 4*0.75mm² (RGB).H05RN-F 5*0.5mm² (RGBW)
 Dimmable support: Triac/PWM/0-10V/DALI/DMX512 (internal)

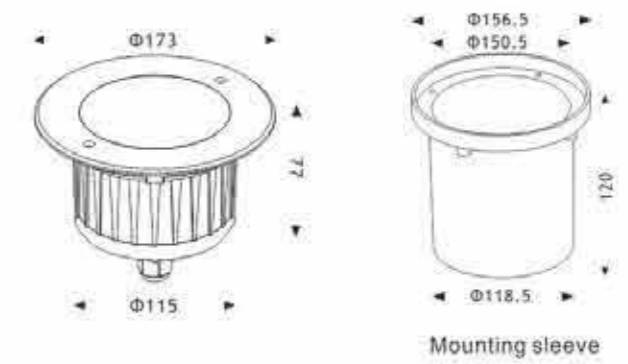


1*10W / 1*15W Model



Features

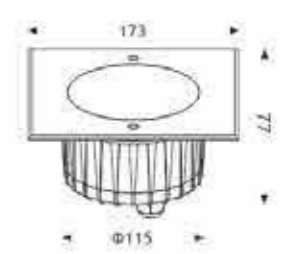
- High colour rendering index
- Excellent thermal management
- Dimmable versions available
- Available in round or square



MODEL NO	POWER	LED COLOR	INPUT VOLT	LENS DEGREE	SIZE	CUT OUT
BL-IGL0602	6*2W	2700K-6500K/R/G/B	24V DC 240V/120V AC	10°/25°/45°/60° 45 35°	173*77mm	156.5mm
BL-IGL0603A	6*3W	RGB,DMX512	24V DC			
BL-IGL0603B		RGB 3 in 1 , DMX512				
BL-IGL0902A	9*2W	2700K-6500K/R/G/B	24V DC 240V/120V AC	10°/25°/45°/60°	173*77mm	156.5mm
BL-IGL0902B		RGB,DMX512	24V DC			
BL-IGL0902C	1*18W	RGB 3 in 1 , DMX512	24V DC 240V/120V AC	18°/24°/38°/60°	173*77mm	156.5mm
BL-IGL0118		2700K-6500K/R/G/B				

Material Specifications

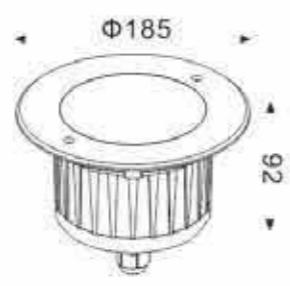
LED:CREE/OSRAM/EPISTAR.
 Front cover :Stainless steel SUS316#
 Housing:12# Die-casting grey powder coated aluminum.T=60-80µm
 Adhesion of ISO class 1/ASTM class 4B high temperature painting
 Driver:Constant current output,Constant current output
 Glass:Step tempered glass
 Mounting sleeve:ABS
 Power Cable:H05RN-F 2*1.0mm² (low voltage).H05RN-F 3*0.75mm² (high voltage).H05RN-F 4*0.75mm² (RGB).H05RN-F 5*0.5mm² (RGBW)
 Dimmable support: Triac/PWM/0-10V/DALI/DMX512 (internal)



Features

- High colour rendering index
- Excellent thermal management
- Dimmable versions available
- EMC-optimised

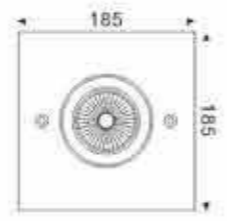
● 6000K ● 5000K ● 4000K ● 3000K ● 2700K



MODEL NO.	POWER	LED COLOR	INPUT VOLT	LENS DEGREE	SIZE	CUT OUT
BL-IGL1202	12*2W	2700K-6500K/R/G/B	24V DC 240V/120V AC	10°/25°/45°/60° 45 35°	185*92mm	171.5mm
BL-IGL1203	12*3W	RGB3in1,DMX512	24V DC			
BL-IGL1204	12*4W	RGBW4in1,DMX512	24V DC			
BL-IGL0125	1*25W	2700K-6500K/R/G/B	24V DC	18°/24°/38°/60°		
BL-IGL0406	4*6W		240V/120V AC			

Material Specifications

LED: CREE/OSRAM/EPISTAR.
 Front cover :Stainless steel SUS316#
 Housing: 12# Die-casting grey powder coated aluminum. T=60-80µm
 Adhesion of ISO class 1/ASTM class 4B high temperature painting
 Driver: Constant current output, Constant current output
 Glass: Step tempered glass
 Mounting sleeve: ABS
 Power Cable: H05RN-F 2*1.0mm² (low voltage). H05RN-F 3*0.75mm² (high voltage). H05RN-F 4*0.75mm² (RGB). H05RN-F 5*0.5mm² (RGBW)
 Dimmable support: Triac/PWM/0-10V/DALI/DMX512 (Internal)

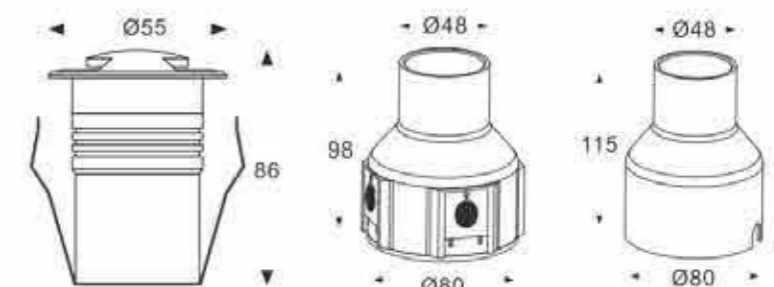
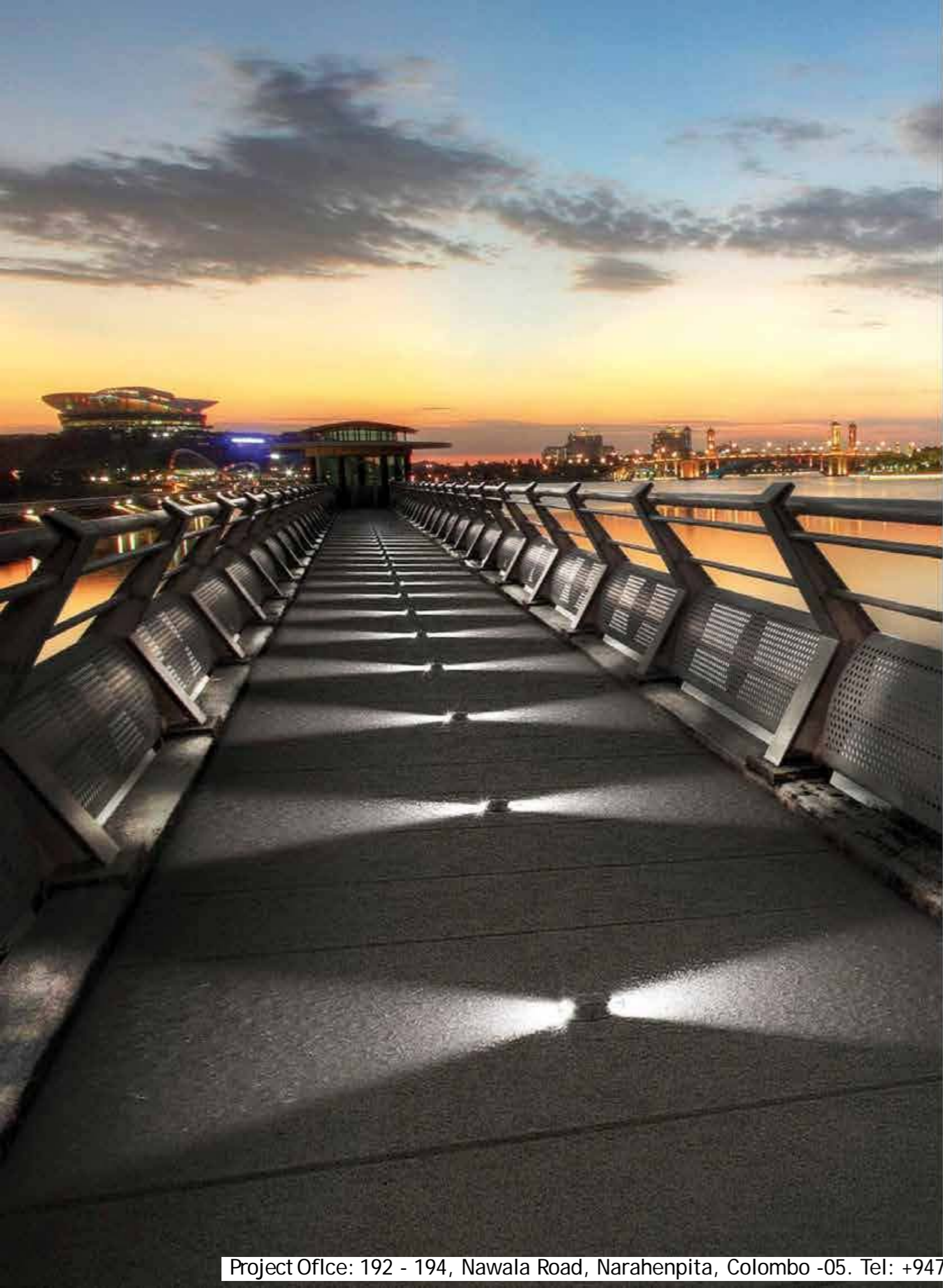


Features

- High colour rendering index
- Excellent thermal management
- Dimmable versions available
- EMC-optimised

RGB 3 in 1 RGBW 4 in 1 CREE DMX512 DC24V AC220V DALI/0-10V TRIAC IP67 IK08 CRI>80/90 SS316





Physical Dimension(MM) Mounting sleeve

MODEL NO	POWER	LED COLOR	INPUT VOLT	LENS DEGREE	SIZE	CUT OUT
BL-SIG0102	1*2W	2700K-6500K /R/G/B	24V/12V DC 240V/120V AC	1/2/4Side Emitting Holes	55*86mm	48mm
BL-SIG0103	1*3W	RGB3 in1,DMX512	24V/12V DC			

Material Specifications

LED:CREE/OSRAM/EPISTAR.
 Front cover :Stainless steel SUS316#
 Housing:12# Die-casting grey powder coated aluminum.T=60-80µm
 Adhesion of ISO class 1/ASTM class 4B high temperature painting
 Driver:Constant current output,Constant current output
 Glass:Step tempered glass
 Mounting sleeve:ABS
 Power Cable:H05RN-F 2*1.0mm² (low voltage),H05RN-F 3*0.75mm² (high voltage),H05RN-F 4*0.75mm² (RGB).
 Dimmable support : Triac/PWM/0-10V/DALI/DMX512 (internal)

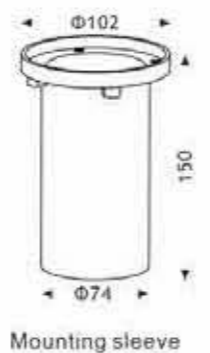
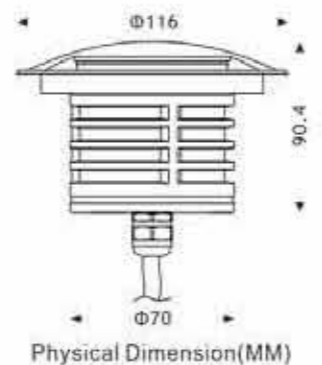
Lighting Effect



Features

High colour rendering index
 Excellent thermal management
 Dimmable versions available
 EMC-optimised

LED IN-GROUND LIGHT



MODEL NO.	POWER	LED QTY.	LED COLOR	INPUT VOLT	LENS DEGREE	CUT OUT
BL-SIG2267	2W	16*SMD2835	2700K-6500K /R/G/B	24V/12V DC 240V/120V AC	1/2/4 Side Emitting Holes	102mm
BL-SIG2263	1W	6*SMD5050	RGB3 in1,DMX512	24V/12V DC		

Material Specifications

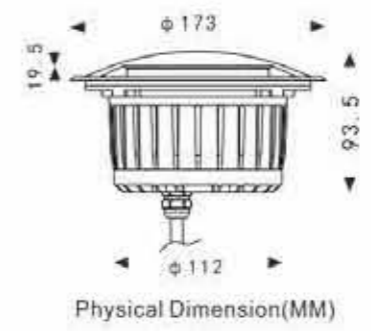
LED:OSRAM/EPISTAR.
 Front cover :Stainless steel SUS316#
 Housing: 12# Die-casting grey powder coated aluminum, T=60-80µm
 Adhesion of ISO class 1/ASTM class 4B high temperature painting
 Driver:Constant current output,Constant current output
 Glass:Step tempered glass
 Mounting sleeve:ABS
 Power Cable:H05RN-F 2*1.0mm² (low voltage).H05RN-F 3*0.75mm² (high voltage).H05RN-F 4*0.75mm²(RGB).
 Dimmable support: Triac/PWM/0-10V/DALI/DMX512 (internal)

Lighting Effect



Features

- High colour rendering index
- Excellent thermal management
- Dimmable versions available
- EMC-optimised



MODEL NO.	POWER	LED QTY.	LED COLOR	INPUT VOLT	LENS DEGREE	CUT OUT
BL-SIG2232	4W	32*SMD2835	2700K-6500K /R/G/B	24V/12V DC 240V/120V AC	1/2/4Side Emitting Holes	156.5mm
BL-SIG2218		18*SMD5050	RGB 3in1	24V/12V DC		

Material Specifications

LED:OSRAM/EPISTAR.
 Front cover :Stainless steel SUS316#
 Housing: 12# Die-casting grey powder coated aluminum, T=60-80µm
 Adhesion of ISO class 1/ASTM class 4B high temperature painting
 Driver:Constant current output,Constant current output
 Glass:Step tempered glass
 Mounting sleeve:ABS
 Power Cable:H05RN-F 2*1.0mm² (low voltage).H05RN-F 3*0.75mm² (high voltage).H05RN-F 4*0.75mm²(RGB).
 Dimmable support: Triac/PWM/0-10V/DALI/DMX512 (internal)

Lighting Effect



Features

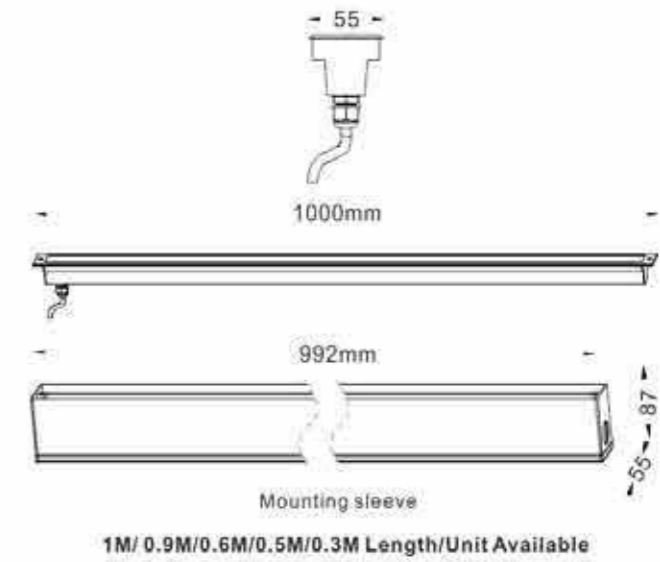
- High colour rendering index
- Excellent thermal management
- Dimmable versions available
- EMC-optimised

LINEAR IN-GROUND WALL WASHER LIGHT



CREE **Waterproof Connector** **DALI/0-10V TRIAC** **IP67** **IK09** **CRI>80/90** **SS316**

5° Inclined Angle To The Wall

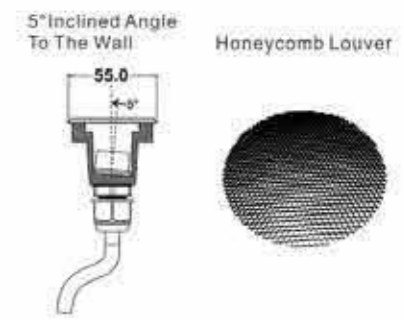


LED IN-GROUND LIGHT

MODEL NO	POWER	LED COLOR	INPUT VOLT	LENS DEGREE	SIZE	CUT OUT
BL-LIGL2401A	24*1W	2000K-6000K/ R/G/B	AC85-265V /DC24V	10°/25°/30° /45°/60°/20°/40° /20°/60°/45°/35°	1000*55mm	55mm
BL-LIGL2402A	24*2W					
BL-LIGL2402/5	24*2.5W	RGB 3in1 DMX512	DC24V			
BL-LIGL2403A	24*3W	RGBW 4in1 DMX512				

Material Specifications

LED: CREE/EPISTAR.
 Front ring of luminaire made of Tetanizing 316 stainless steel while lamp housing made of environmental and high tensile ACD12# die-casting aluminum, and the surface of lamp housing is with American Tiger Powder Paint Treatment, suitable for high-acid and alkali environments use.
 Ultra clear and highly strengthen 8mm tempered glass cover, ensure high luminous efficacy (90-95%), outstanding accuracy of color temperature, and excellent impact resistance and rub resistance.
 Power Cable: H05RN-F 2*1.0mm² (low voltage). H05RN-F 3*0.75mm² (high voltage). H05RN-F 5*0.75mm² (RGB).
 Dimmable support: Triac/PWM/0-10V/DALI/DMX512



Half Covered Silk Glass



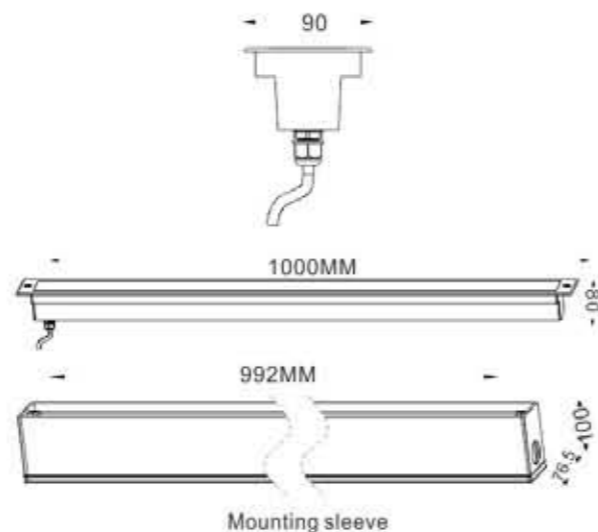
Uplight		Wallwasher Light		Wallwasher Light		
Symmetrical Lens		Asymmetrical Lens		Asymmetrical Lens		
5°, 10°, 15°		10°/60°, 20°/40° 20°/45°, 20°/60°		45°/35°		
25°, 40°, 60°						

Features

High colour rendering index Excellent thermal management Dimmable versions available EMC-optimised



5° Inclined Angle To The Wall



1M/ 0.9M/0.6M/0.5M/0.3M Length/Unit Available

MODEL NO.	POWER	LED COLOR	INPUT VOLT	LENS DEGREE	SIZE	CUT OUT
BL-LIGL1804	18*3W	2000K-6000K/ R/G/B	AC85-265V /DC24V	10°/25°/30° /45°/60°/20°*40° /20°60°/45 35°	1000*90*80mm	83mm
BL-LIGL2403B	24*3W					
BL-LIGL3602	36*2W					
BL-LIGL2403C	24*3W	RGB 3in1 DMX512	DC24V			
BL-LIGL2404	24*4W	RGBW 4in1 DMX512				

Material Specifications

LED:CREE/EPISTAR.

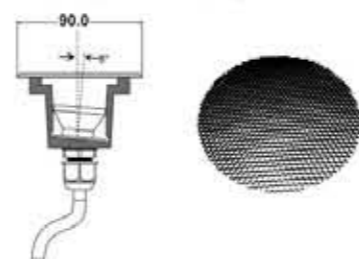
Front ring of luminaire made of Tetanizing 316 stainless steel while lamp housing made of environmental and high tensile ACD12# die-casting aluminum, and the surface of lamp housing is with American Tiger Powder Paint Treatment, suitable for high-acid and alkali environments use.

Ultra clear and highly strengthen 8mm tempered glass cover, ensure high luminous efficacy (90-95%) ,outstanding accuracy of color temperature, and excellent impact resistance and rub resistance.

Power Cable:H05RN-F 2*1.0mm² (low voltage).H05RN-F 3*0.75mm² (high voltage).H05RN-F 5*0.75mm²(RGB).

Dimmable support: Triac/PWM/0-10V/DALI/DMX512

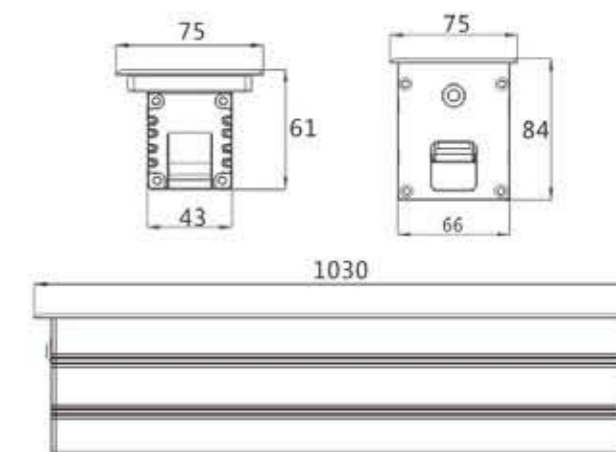
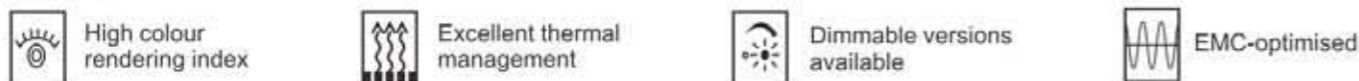
5° Inclined Angle To The Wall Honeycomb Louver



Half Covered Silk Glass



Features



1M/ 0.5M/0.3M Length/Unit Available

MODEL NO.	POWER	LED COLOR	INPUT VOLT	LENS DEGREE	SIZE	CUT OUT
BL-LIGL1801A	18*1W	2700K-6000K	AC220/DC24V	10°/15°/30°/45°/60° /10°60°/20°45° /18+55°Asymmetrical	1050*75*84mm	66mm
BL-LIGL2401B	24*1W					
BL-LIGL3601A	36*1W					
BL-LIGL1802A	18*2W	RGB 3in1 DMX512	DC24V			
BL-LIGL2402B	24*2W	RGBW 4in1 DMX512				

Material Specifications

LED:CREE/EPISTAR.

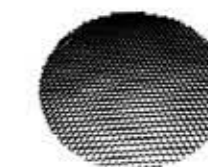
Front ring of luminaire made of Tetanizing 304 stainless steel while lamp housing made of environmental and high tensile ACD12# die-casting aluminum, and the surface of lamp housing is with American Tiger Powder Paint Treatment, suitable for high-acid and alkali environments use.

Ultra clear and highly strengthen 8mm tempered glass cover, ensure high luminous efficacy (90-95%) ,outstanding accuracy of color temperature, and excellent impact resistance and rub resistance.

Power Cable:H05RN-F 2*1.0mm² (low voltage).H05RN-F 3*0.75mm² (high voltage).H05RN-F 5*0.75mm²(RGB).

Dimmable support: Triac/PWM/0-10V/DALI/DMX512

Honeycomb Louver



Half Covered Silk Glass

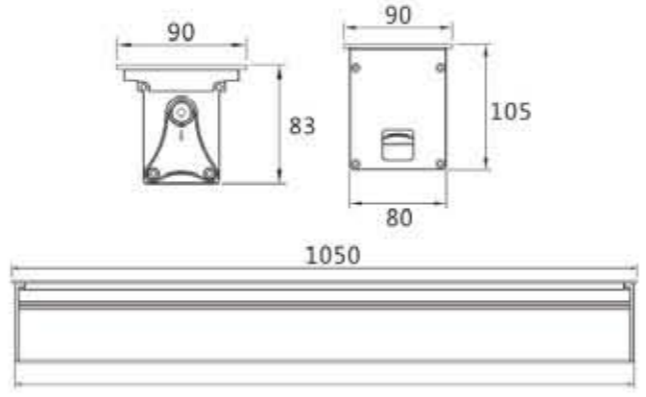


Features





30D Tilttable



1M/ 0.5M length/Unit Available

MODEL NO.	POWER	LED COLOR	INPUT VOLT	LENS DEGREE	SIZE	CUT OUT
BL-LIGL1801B	18*1W	2700K-6000K	AC220/DC24V	10°/15°/30°/ 45°/60°/ 10°60°/20°45°	1050*90* 107mm	80mm
BL-LIGL2401C	24*1W					
BL-LIGL3601B	36*1W					
BL-LIGL1802B	18*2W	RGB 3in1 DMX512	DC24V			
BL-LIGL2402C	24*2W	RGBW 4in1 DMX512				

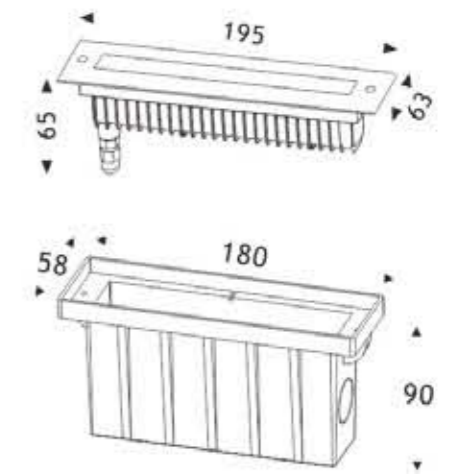
Material Specifications

LED:CREE/EPISTAR.
 Front ring of luminaire made of Tetanizing 304 stainless steel while lamp housing made of environmental and high tensile ACD12# die-casting aluminum, and the surface of lamp housing is with American Tiger Powder Paint Treatment, suitable for high-acid and alkali environments use.
 Ultra clear and highly strengthen 8mm tempered glass cover, ensure high luminous efficacy (90-95%) ,outstanding accuracy of color temperature, and excellent impact resistance and rub resistance.
 Power Cable:H05RN-F 2*1.0mm² (low voltage).H05RN-F 3*0.75mm² (high voltage).H05RN-F 5*0.75mm²(RGB).
 Dimmable support: Triac/PWM/0-10V/DALI/DMX512



Features

- High colour rendering index
- Excellent thermal management
- Dimmable versions available
- Various construction sizes



MODEL NO.	POWER	LED QTY.	LED COLOR	INPUT VOLT	LENS DEGREE	CUT OUT
BL-LIGL0302	6W	3*2W	2700K-6500K /R/G/B	24V/12V DC 240V/120V AC	10°/30°/45° 60°/45°35°	180*58mm
BL-LIGL0303	9W	3*3W	RGB3 in1,DMX512	24V/12V DC		
BL-LIGL2214	2W	10*SMD5050	2700K-6500K /R/G/B	24V/12V DC 240V/120V AC	Diffuser Beam 120°	
BL-LIGL2217	2.5W		RGB3 in1,DMX512	24V/12V DC		

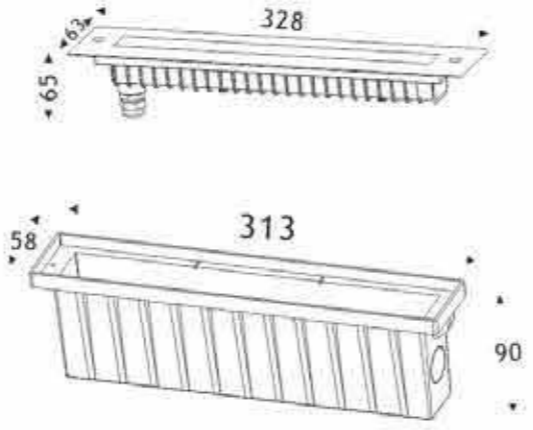
Material Specifications

LED:CREE/OSRAM/EPISTAR.
 Front ring of luminaire made of Tetanizing 316 stainless steel while lamp housing made of environmental and high tensile ACD12# die-casting aluminum, and the surface of lamp housing is with American Tiger Powder Paint Treatment, suitable for high-acid and alkali environments use.
 Ultra clear and highly strengthen 8mm tempered glass cover, ensure high luminous efficacy (90-95%) ,outstanding accuracy of color temperature, and excellent impact resistance and rub resistance.
 Power Cable:H05RN-F 2*1.0mm² (low voltage).H05RN-F 3*0.75mm² (high voltage).H05RN-F 4*0.75mm²(RGB3 in1).H05RN-F 5*0.5mm²(RGB3 in1 DMX512).
 Dimmable support: Triac/PWM/0-10V/DALI/DMX512



Features

- High colour rendering index
- Excellent thermal management
- Dimmable versions available
- EMC-optimised



MODEL NO.	POWER	LED QTY.	LED COLOR	INPUT VOLT	LENS DEGREE	CUT OUT
BL-LIGL0602	12W	6*2W	2700K-6500K/R/G/B	24V/12V DC 240V/120V AC	10°/30°/45° 60°/45°/35°	313*58mm
BL-LIGL0603	18W	6*3W	RGB3 in1,DMX512	24V/12V DC		
BL-LIGL2226	4W	20*SMD2835	2700K-6500K/R/G/B	24V/12V DC 240V/120V AC	Diffuser Beam 120°	
BL-LIGL2229	5W	20*SMD5050	RGB3 in1,DMX512	24V/12V DC		

Material Specifications

LED:CREE/OSRAM/EPISTAR.
 Front ring of luminaire made of Tetanizing 316 stainless steel while lamp housing made of environmental and high tensile ACD12# die-casting aluminum, and the surface of lamp housing is with American Tiger Powder Paint Treatment, suitable for high-acid and alkali environments use.
 Ultra clear and highly strengthen 8mm tempered glass cover, ensure high luminous efficacy (90-95%) ,outstanding accuracy of color temperature, and excellent impact resistance and rub resistance.
 Power Cable:H05RN-F 2*1.0mm² (low voltage).H05RN-F 3*0.75mm² (high voltage).H05RN-F 4*0.75mm² (RGB3 in1).H05RN-F 5*0.5mm² (RGB3 in1 DMX512).
 Dimmable support: Triac/PWM/0-10V/DALI/DMX512

Back Side Honeycomb Louver

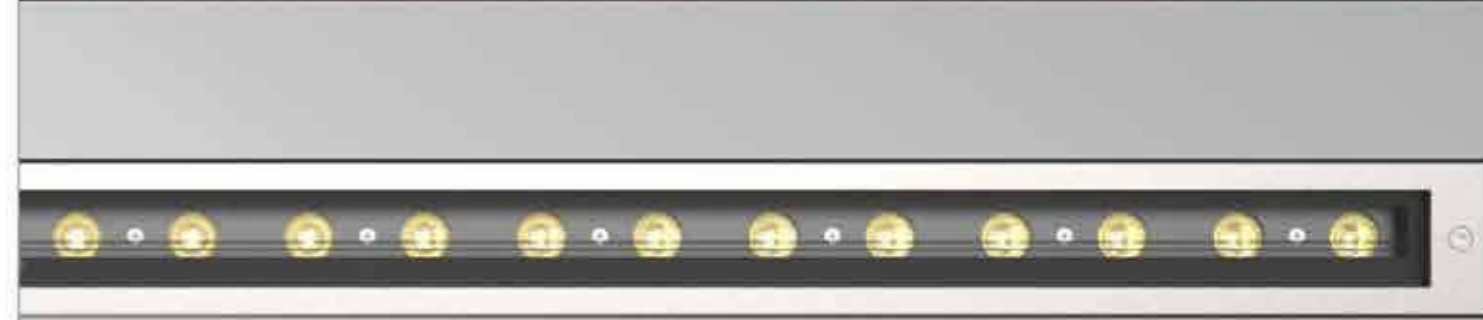


Milky White/Frosted Cover



Features

- High colour rendering index
- Excellent thermal management
- Dimmable versions available
- EMC-optimised



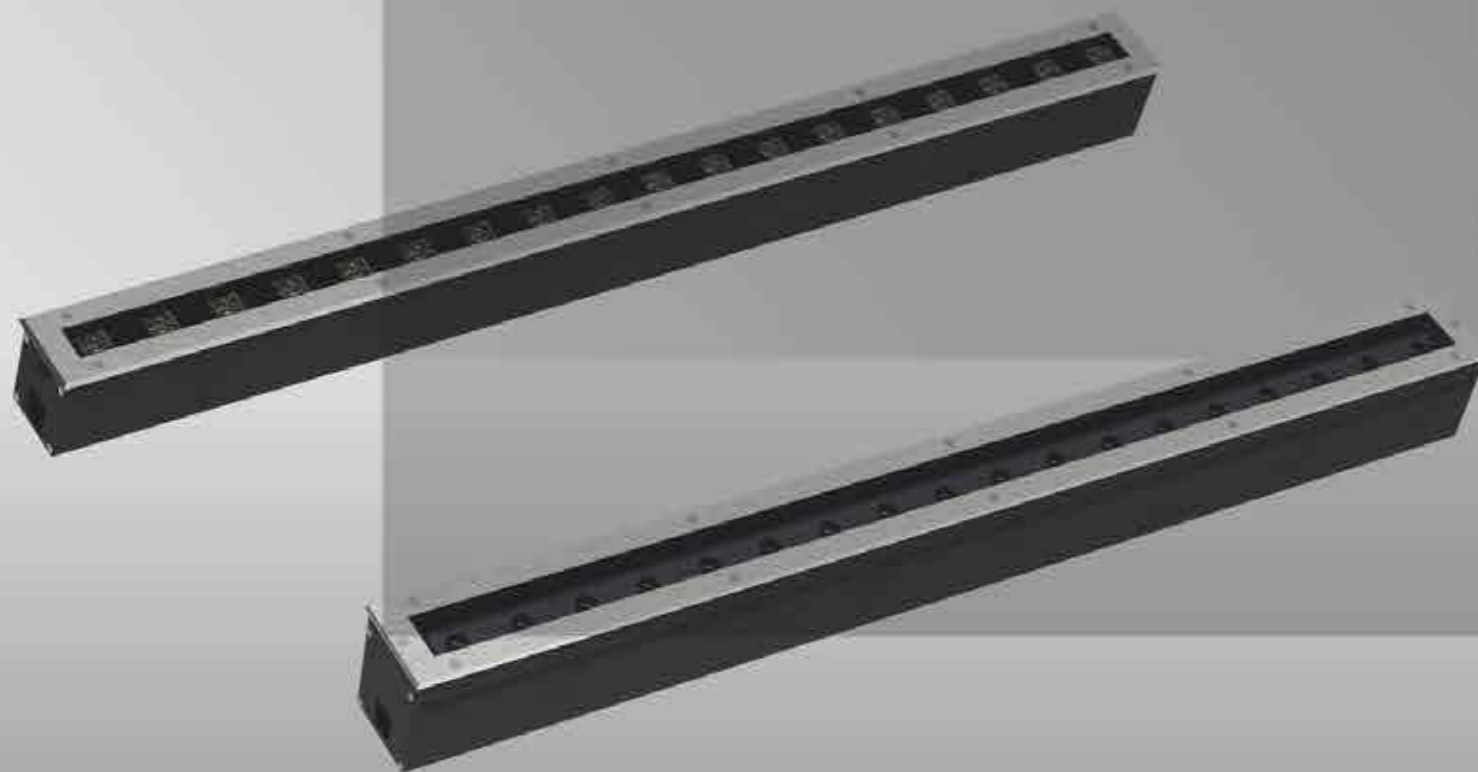
LINEAR IN-GROUND WALL WASHER LIGHT

SPECIAL HOUSING DESIGNS AND HIGH-QUALITY OPTICAL COMPONENTS SPECIFICALLY FOR DEMANDING VISUAL TASKS TO PROVIDE ENHANCED VISUAL COMFORT. COMPACT ARCHITECTURAL AND STYLISH OUTDOOR INNOVATIVE PROJECTOR FOR VARIETY OF FLOODLIGHTING APPLICATIONS. IDEAL FOR ILLUMINATING LARGE BUILDINGS AND OBJECTS.

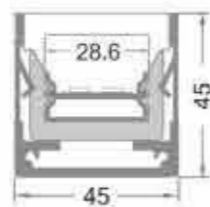
LUMINAIRES WITH CREE COB OR XP-E/G LEDS PROVIDE EXCELLENT LIGHT QUALITY WITH HIGHLY PRECISE LIGHT DISTRIBUTION, FREE OF COLOUR SHIFTS AND DISTORTION. SPECIAL PCB LAYOUTS ENSURE THE LED MODULES ARE OPTIMALLY MATCHED TO THE OPTICAL SYSTEM OF THE LUMINAIRES. EMIT MORE THAN 90% OF THEIR INITIAL LUMINOUS FLUX UNTIL 50000 OPERATING HOURS. CORROSION-RESISTANT ADC12 # DIE-CASTING ALUMINIUM BODY GIVES THE LUMINAIRE GOOD THERMAL CONDUCTIVITY, AND LARGE AREA CONNECTIONS BETWEEN THE REAR OF THE HOUSING AND THE LED'S PCB ENSURE GOOD HEAT CONDUCTION.

STAINLESS STEEL SCREWS, HIGH STRENGTH 4MM TOUGHENED GLASS >92% LIGHT TRANSMITTANCE, EXTREMELY NARROW TO WIDE BEAM OPTIONS, ROTATIONALLY SYMMETRIC LIGHT DISTRIBUTION, INTEGRATED POWER SUPPLY WITH DIMMABLE OPTIONS.

SPIKE/POLE//PLATE/CEILING MOUNTING VERSION ALSO AVAILABLE.



● 6000K ● 5000K ● 4000K ● 3000K ● 2700K



Max. 3M length / Unit

MODEL NO	POWER	LED COLOR	INPUT VOLT	LENS DEGREE	SIZE
BL-SFL10AL2-300	9W	2400K-6500K	24V DC	Diffuser soft beam 120°	300*45*45mm
BL-SFL10AL2-500	15W				500*45*45mm
BL-SFL10AL2-600	18W				600*45*45mm
BL-SFL10AL2-1000	30W				1000*45*45mm
BL-SFL10AL2-1200	36W				1200*45*45mm

Material Specifications

IP67 LED profile
 suit for indoor or outdoor light decoration
 linear light design , homogeneous and dots free
 Installation: recessed or surface mounting
 Cable output: from the bottom or end
 IP rating: Ip67
 Maximum 30W/m
 UV resistance
 Maximum stand weight: 30kN

Installation Method



Aluminum profile



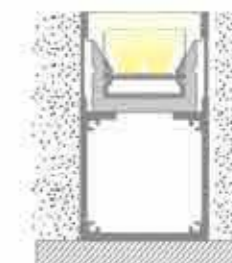
PMMA one time extrusion profile



Features

- High colour rendering index
- Excellent thermal management
- Dimmable versions available
- Various construction sizes

OSRAM
 1-10V/ PWM TRIAC/DMX
 IP67
 IK09
 CRI>80/90
 Aluminum



Max. 3M length / Unit

MODEL NO.	POWER	LED COLOR	INPUT VOLT	LENS DEGREE	SIZE
BL-SFL10AL1-300	9W	2400K-6500K	24V DC	Diffuser soft beam 120°	300*45*80mm
BL-SFL10AL1-500	15W				500*45*80mm
BL-SFL10AL1-600	18W				600*45*80mm
BL-SFL10AL1-1000	30W				1000*45*80mm
BL-SFL10AL1-1200	36W				1200*45*80mm

Material Specifications

IP67 LED profile
 suit for indoor or outdoor light decoration
 linear light design , homogeneous and dots free
 Installation: recessed or surface mounting
 Cable output: from the bottom or end
 IP rating: Ip67
 Maximum 30W/m
 UV resistance
 Maximum stand weight: 30kN

Installation Method



Aluminum profile

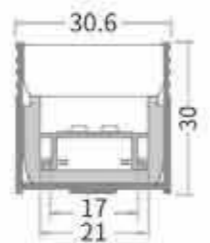
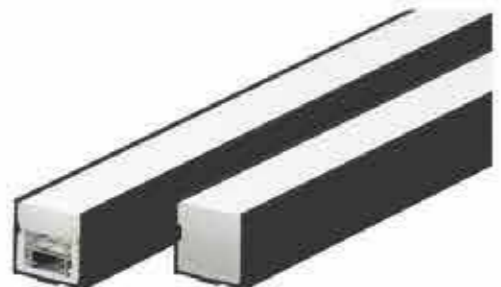


PMMA one time extrusion profile



Features

- High colour rendering index
- Excellent thermal management
- Dimmable versions available
- Various construction sizes



Max. 3M length / Unit

MODEL NO	POWER	LED COLOR	INPUT VOLT	LENS DEGREE	SIZE
BL-SFL04AL4-300	6W	2400K-6500K	24V DC	Diffuser soft beam 110°	300*30.6*30mm
BL-SFL04AL4-500	10W				500*30.6*30mm
BL-SFL04AL4-600	12W				600*30.6*30mm
BL-SFL04AL4-1000	20W				1000*30.6*30mm
BL-SFL04AL4-1200	24W				1200*30.6*30mm

Material Specifications

IP67 LED profile
 suit for indoor or outdoor light decoration
 linear light design , homogeneous and dots free
 Installation: recessed or surface mounting
 Cable output: from the bottom or end
 IP rating: Ip67
 Maximum 20W/m
 UV resistance
 Maximum stand weight: 30kN



Aluminum profile

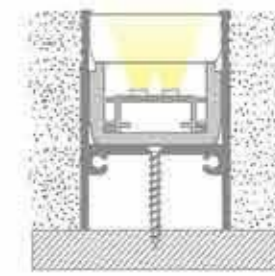
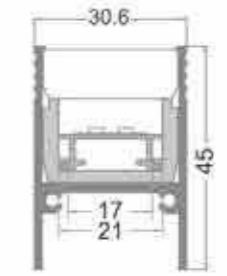


PMMA one time extrusion profile



Features

- High colour rendering index
- Excellent thermal management
- Dimmable versions available
- Various construction sizes

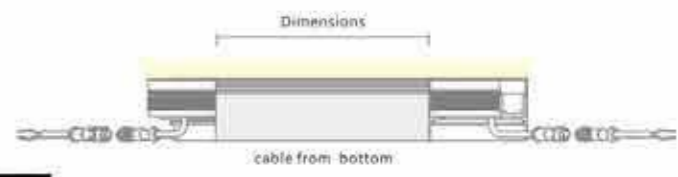


Max. 3M length / Unit

MODEL NO.	POWER	LED COLOR	INPUT VOLT	LENS DEGREE	SIZE
BL-SFL04AL3-300	6W	2400K-6500K	24V DC	Diffuser soft beam 110°	300*30.6*45mm
BL-SFL04AL3-500	10W				500*30.6*45mm
BL-SFL04AL3-600	12W				600*30.6*45mm
BL-SFL04AL3-1000	20W				1000*30.6*45mm
BL-SFL04AL3-1200	24W				1200*30.6*45mm

Material Specifications

IP67 LED profile
 suit for indoor or outdoor light decoration
 linear light design , homogeneous and dots free
 Installation: recessed or surface mounting
 Cable output: from the bottom or end
 IP rating: Ip67
 Maximum 20W/m
 UV resistance
 Maximum stand weight: 30kN



Aluminum profile,
 6063 aluminum material
 anodized or Powder coating finished
 1m,2m,3m length,
 Customized length is available
 on request.



PMMA one time extrusion profile,
 maximum can be 3meter length,
 Customized length is available on
 request.



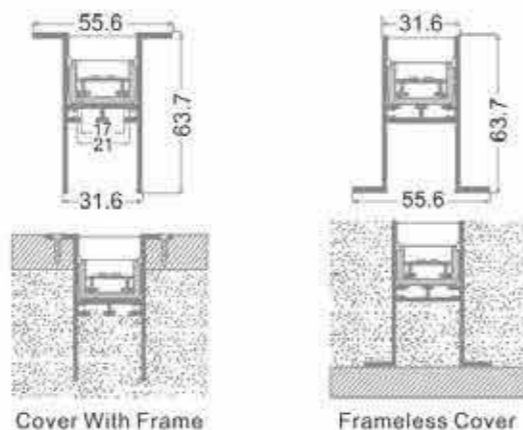
Features

- High colour rendering index
- Excellent thermal management
- Dimmable versions available
- Various construction sizes

● 6000K ● 5000K ● 4000K ● 3000K ● 2700K



Max. 3M length / Unit



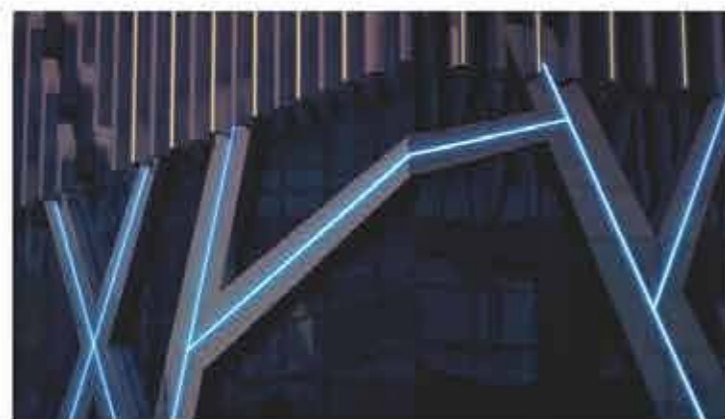
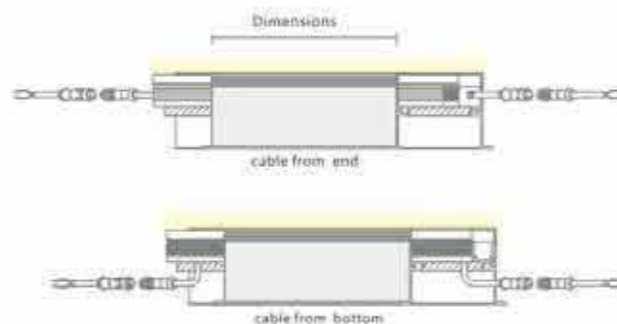
Cover With Frame

Frameless Cover

MODEL NO.	POWER	LED COLOR	INPUT VOLT	LENS DEGREE	SIZE
BL-SFL04AL2-300	6W	2400K-6500K	24V DC	Diffuser soft beam 110°	300*55.6*63.7mm
BL-SFL04AL2-500	10W				500*55.6*63.7mm
BL-SFL04AL2-600	12W				600*55.6*63.7mm
BL-SFL04AL2-1000	20W				1000*55.6*63.7mm
BL-SFL04AL2-1200	24W				1200*55.6*63.7mm

Material Specifications

Ip67 LED profile
 suit for indoor or outdoor light decoration
 linear light design , homogeneous and dots free
 Installation: recessed or surface mounting
 Cable output: from the bottom or end
 IP rating: Ip67
 Maximum 20W/m
 UV resistance
 Maximum stand weight: 30kN



Aluminum profile,
 6063 aluminum material
 anodized or Powder coating finished
 1m,2m,3m length,
 Customized length is available
 on request.

PMMA one time extrusion profile,
 maximum can be 3meter length.
 Customized length is available on
 request.

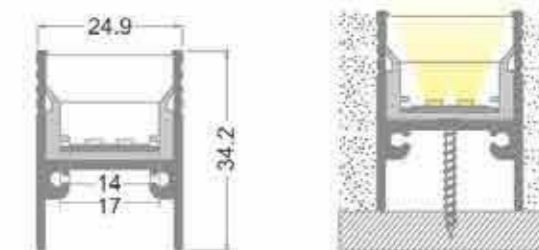
Features

- High colour rendering index
- Excellent thermal management
- Dimmable versions available
- Various construction sizes

OSRAM
 1-10V/ PWM TRIAC/DMX
 IP67
 IK09
 CRI>80/90
 Aluminum



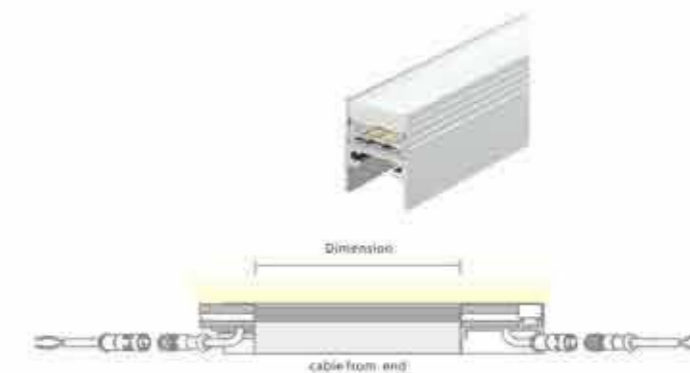
Max. 3M length / Unit



MODEL NO.	POWER	LED COLOR	INPUT VOLT	LENS DEGREE	SIZE
BL-SFL03AL3-300	4.5W	2400K-6500K	24V DC	Diffuser soft beam 110°	300*24.9*34.2mm
BL-SFL03AL3-500	7.5W				500*24.9*34.2mm
BL-SFL03AL3-600	9W				600*24.9*34.2mm
BL-SFL03AL3-1000	15W				1000*24.9*34.2mm
BL-SFL03AL3-1200	18W				1200*24.9*34.2mm

Material Specifications

Ip67 LED profile
 suit for indoor or outdoor light decoration
 linear light design , homogeneous and dots free
 Installation: recessed or surface mounting
 Cable output: from the bottom or end
 IP rating: Ip67
 Maximum 15W/m
 UV resistance
 Maximum stand weight: 24.2kN



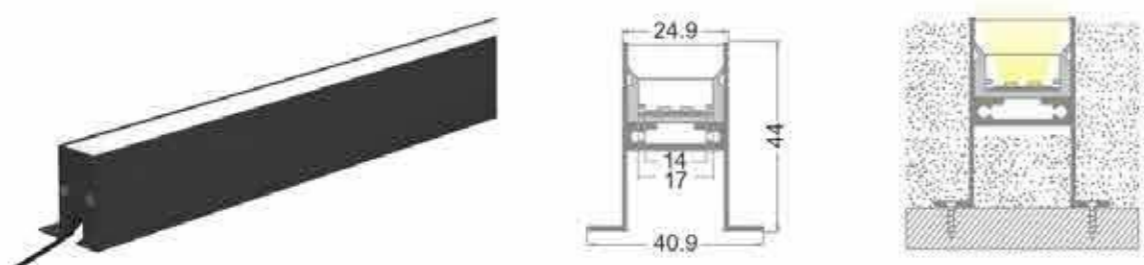
Aluminum profile,
 6063 aluminum material
 anodized or powder coating finished
 1m,2m,3m length,
 Customized length is available
 on request.

PMMA one time extrusion profile
 1m, 2m and 3m lengths.
 Customized length is available
 on request.

Features

- High colour rendering index
- Excellent thermal management
- Dimmable versions available
- Various construction sizes

● 6000K ● 5000K ● 4000K ● 3000K ● 2700K



Max. 3M length / Unit

MODEL NO.	POWER	LED COLOR	INPUT VOLT	LENS DEGREE	SIZE
BL-SFL03AL2-300	4.5W	2400K-6500K	24V DC	Diffuser soft beam 110°	300*40.9*44mm
BL-SFL03AL2-500	7.5W				500*40.9*44mm
BL-SFL03AL2-600	9W				600*40.9*44mm
BL-SFL03AL2-1000	15W				1000*40.9*44mm
BL-SFL03AL2-1200	18W				1200*40.9*44mm

Material Specifications

Ip67 LED profile
 suit for indoor or outdoor light decoration
 linear light design , homogeneous and dots free
 Installation: recessed or surface mounting
 Cable output: from the bottom or end
 IP rating: Ip67
 Maximum 15W/m
 UV resistance
 Maximum stand weight: 24.2kN



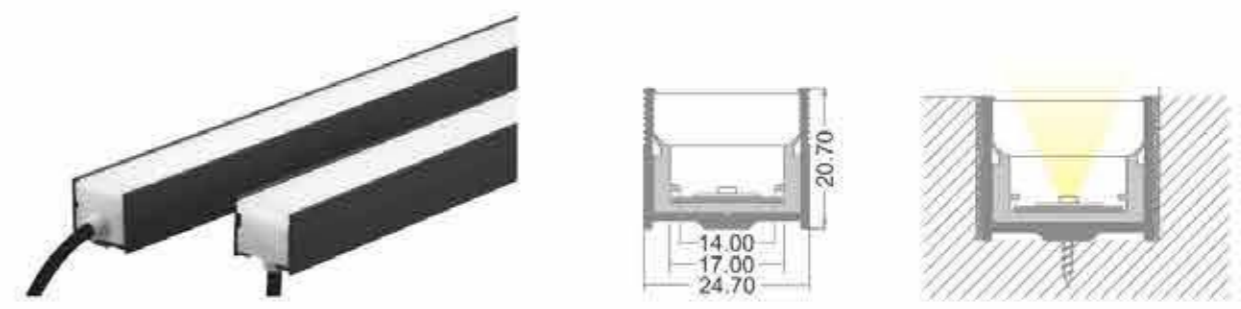
Aluminum profile,
 6063 aluminum material
 anodized or powder coating finished
 1m,2m,3m length,
 Customized length is available
 on request.

PMMA one time extrusion profile
 1m, 2m and 3m lengths.
 Customized length is available
 on request.

Features

- High colour rendering index
- Excellent thermal management
- Dimmable versions available
- Various construction sizes

OSRAM
 1-10V/ PWM TRIAC/DMX
 IP67
 IK09
 CRI>80/90
 Aluminum

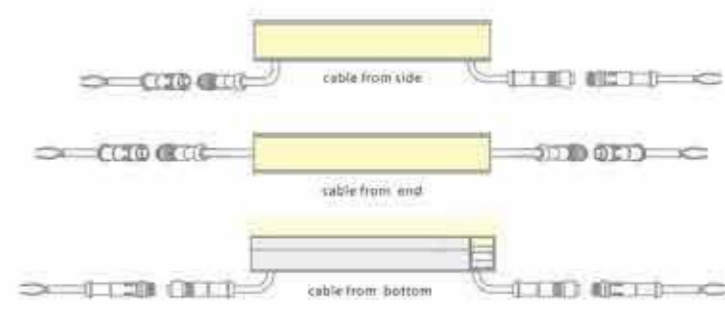


Max. 3M length / Unit

MODEL NO.	POWER	LED COLOR	INPUT VOLT	LENS DEGREE	SIZE
BL-SFL03AL1-300	4.5W	2400K-6500K	24V DC	Diffuser soft beam 110°	300*24.7*20.7mm
BL-SFL03AL1-500	7.5W				500*24.7*20.7mm
BL-SFL03AL1-600	9W				600*24.7*20.7mm
BL-SFL03AL1-1000	15W				1000*24.7*20.7mm
BL-SFL03AL1-1200	18W				1200*24.7*20.7mm

Material Specifications

Ip67 LED profile
 suit for indoor or outdoor light decoration
 linear light design , homogeneous and dots free
 Installation: recessed or surface mounting
 Cable output: from the bottom or end
 IP rating: Ip67
 Maximum 15W/m
 UV resistance
 Maximum stand weight: 24.2kN



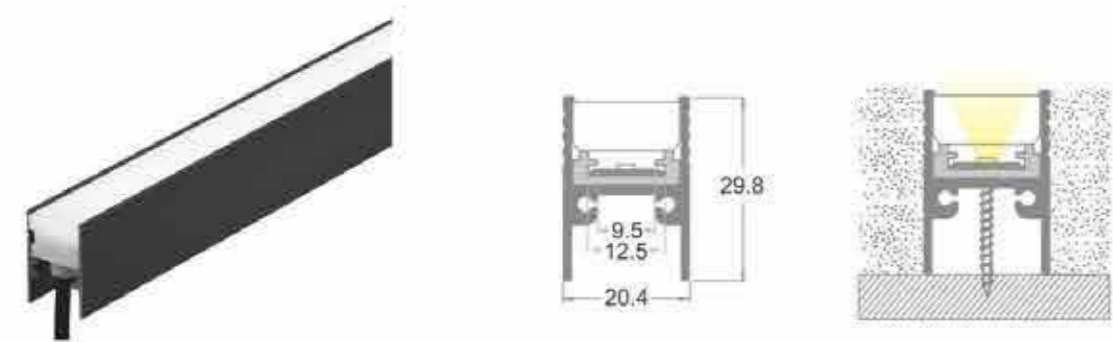
Aluminum profile,
 6063 aluminum material
 anodized or powder coating finished
 1m,2m,3m length,
 Customized length is available
 on request.

PMMA one time extrusion profile
 1m, 2m and 3m lengths.
 Customized length is available
 on request.

Features

- High colour rendering index
- Excellent thermal management
- Dimmable versions available
- Various construction sizes

● 6000K ● 5000K ● 4000K ● 3000K ● 2700K

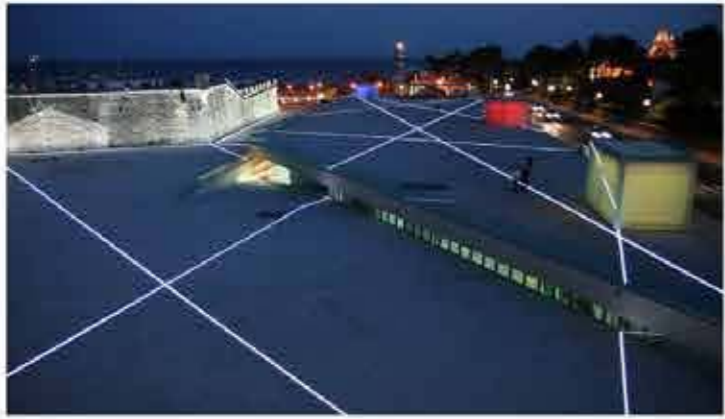
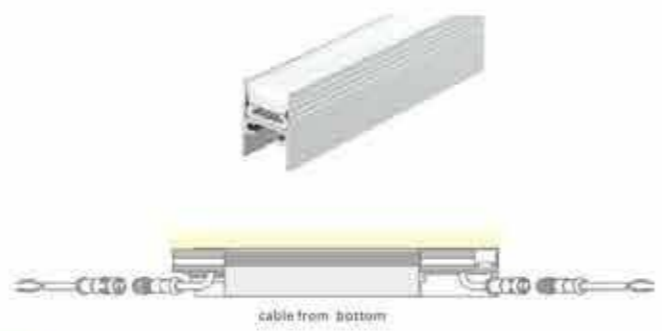


Max. 3M length / Unit

MODEL NO.	POWER	LED COLOR	INPUT VOLT	LENS DEGREE	SIZE
BL-SFL02AL4-300	3W	2400K-6500K	24V DC	Diffuser soft beam 110°	300*20.4*29.8mm
BL-SFL02AL4-500	5W				500*20.4*29.8mm
BL-SFL02AL4-600	6W				600*20.4*29.8mm
BL-SFL02AL4-1000	10W				1000*20.4*29.8mm
BL-SFL02AL4-1200	12W				1200*20.4*29.8mm

Material Specifications

Ip67 LED profile
 suit for indoor or outdoor light decoration
 linear light design , homogeneous and dots free
 Installation: recessed or surface mounting
 Cable output: from the bottom or end
 IP rating: Ip67
 Maximum 10W/m
 UV resistance
 Maximum stand weight: 16.4kN



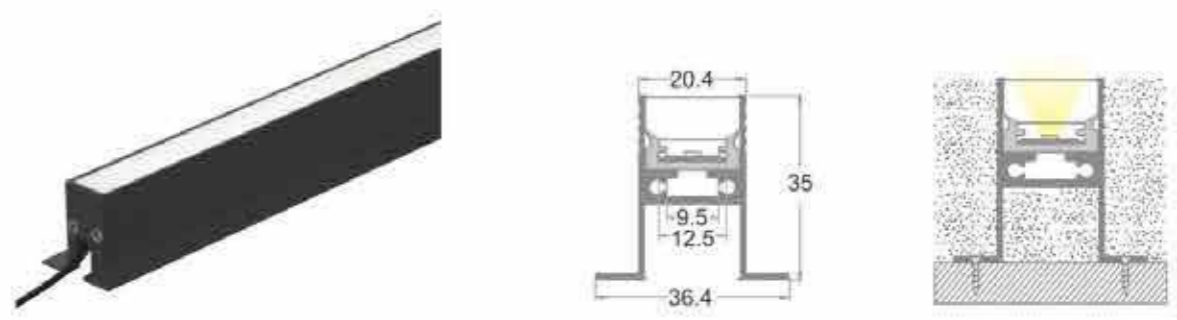
Aluminum profile,
 6063 aluminum material
 anodized or powder coating finished
 1m,2m,3m length,
 Customized length is available
 on request.

PMMA one time extrusion profile
 1m,2m,3m length,
 Customized length is available
 on request.

Features

- High colour rendering index
- Excellent thermal management
- Dimmable versions available
- Various construction sizes

OSRAM
 1-10V/ PWM TRIAC/DMX
 IP67
 IK09
 CRI>80/90
 Aluminum

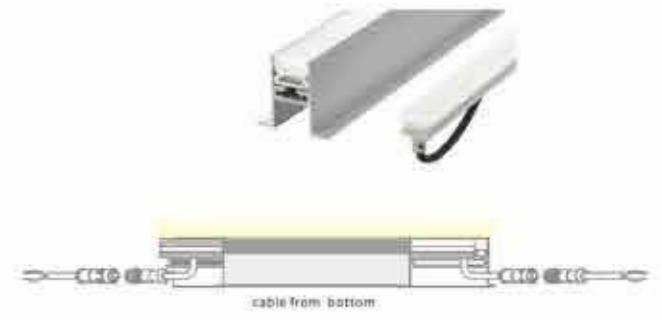


Max. 3M length / Unit

MODEL NO.	POWER	LED COLOR	INPUT VOLT	LENS DEGREE	SIZE
BL-SFL02AL3-300	3W	2400K-6500K	24V DC	Diffuser soft beam 110°	300*36.4*35mm
BL-SFL02AL3-500	5W				500*36.4*35mm
BL-SFL02AL3-600	6W				600*36.4*35mm
BL-SFL02AL3-1000	10W				1000*36.4*35mm
BL-SFL02AL3-1200	12W				1200*36.4*35mm

Material Specifications

Ip67 LED profile
 suit for indoor or outdoor light decoration
 linear light design , homogeneous and dots free
 Installation: recessed or surface mounting
 Cable output: from the bottom or end
 IP rating: Ip67
 Maximum 10W/m
 UV resistance
 Maximum stand weight: 16.4kN



Aluminum profile,
 6063 aluminum material
 anodized or powder coating finished
 1m,2m,3m length,
 Customized length is available
 on request.

PMMA one time extrusion profile
 1m,2m,3m length,
 Customized length is available
 on request.

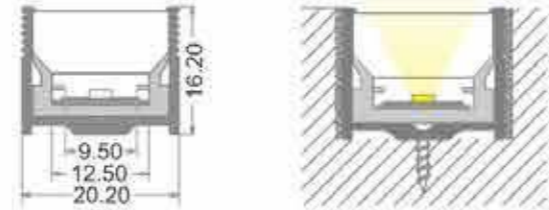
Features

- High colour rendering index
- Excellent thermal management
- Dimmable versions available
- Various construction sizes

● 6000K ● 5000K ● 4000K ● 3000K ● 2700K



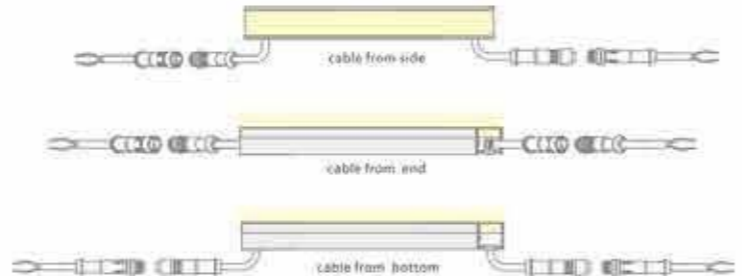
Max. 3M length / Unit



MODEL NO.	POWER	LED COLOR	INPUT VOLT	LENS DEGREE	SIZE
BL-SFL02AL1-300	3W	2400K-6500K	24V DC	Diffuser soft beam 110°	300*20.2*16.2mm
BL-SFL02AL1-500	5W				500*20.2*16.2mm
BL-SFL02AL1-600	6W				600*20.2*16.2mm
BL-SFL02AL1-1000	10W				1000*20.2*16.2mm
BL-SFL02AL1-1200	12W				1200*20.2*16.2mm

Material Specifications

Ip67 LED profile
 suit for indoor or outdoor light decoration
 linear light design, homogeneous and dots free
 Installation: recessed or surface mounting
 Cable output: from the bottom or end
 IP rating: Ip67
 Maximum 10W/m
 UV resistance
 Maximum stand weight: 24.2kN



Aluminum profile,
 6063 aluminum material
 anodized or powder coating finished
 1m, 2m, 3m length,
 Customized length is available
 on request.



PMMA one time extrusion profile
 1m, 2m, 3m length,
 Customized length is available
 on request.



Features

- High colour rendering index
- Excellent thermal management
- Dimmable versions available
- Various construction sizes

OSRAM
 1-10V/ PWM TRIAC/DMX
 IP67
 IK09
 CRI>80/90
 Aluminum



SOFT BEAM LINEAR INGROUND LIGHT

SPECIAL HOUSING DESIGNS AND HIGH-QUALITY OPTICAL COMPONENTS SPECIFICALLY FOR DEMANDING VISUAL TASKS TO PROVIDE ENHANCED VISUAL COMFORT. COMPACT ARCHITECTURAL AND STYLISH OUTDOOR INNOVATIVE PROJECTOR FOR VARIETY OF FLOODLIGHTING APPLICATIONS. IDEAL FOR ILLUMINATING LARGE BUILDINGS AND OBJECTS.

LUMINAIRES WITH CREE COB OR XP-E/G LEDS PROVIDE EXCELLENT LIGHT QUALITY WITH HIGHLY PRECISE LIGHT DISTRIBUTION, FREE OF COLOUR SHIFTS AND DISTORTION. SPECIAL PCB LAYOUTS ENSURE THE LED MODULES ARE OPTIMALLY MATCHED TO THE OPTICAL SYSTEM OF THE LUMINAIRES. EMIT MORE THAN 90% OF THEIR INITIAL LUMINOUS FLUX UNTIL 50000 OPERATING HOURS. CORROSION-RESISTANT ADC12 # DIE-CASTING ALUMINIUM BODY GIVES THE LUMINAIRE GOOD THERMAL CONDUCTIVITY, AND LARGE AREA CONNECTIONS BETWEEN THE REAR OF THE HOUSING AND THE LED'S PCB ENSURE GOOD HEAT CONDUCTION.

STAINLESS STEEL SCREWS, HIGH STRENGTH 4MM TOUGHENED GLASS >92% LIGHT TRANSMITTANCE, EXTREMELY NARROW TO WIDE BEAM OPTIONS, ROTATIONALLY SYMMETRIC LIGHT DISTRIBUTION, INTEGRATED POWER SUPPLY WITH DIMMABLE OPTIONS.

SPIKE/POLE//PLATE/ CEILING MOUNTING VERSION ALSO AVAILABLE.

