

# 20





Specialized In Office Light

**48V MAGNETIC TRACK**

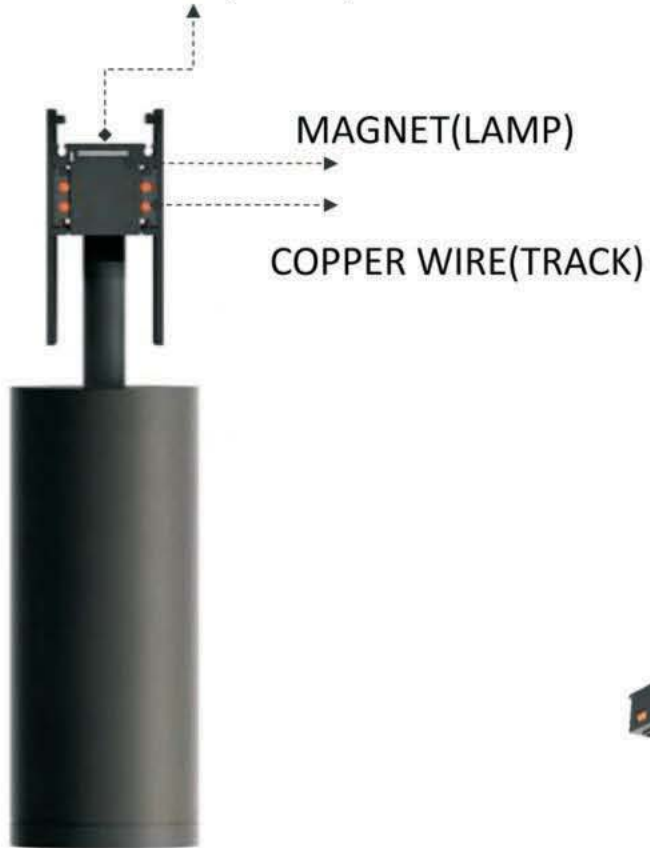
—SERIES—

Project Office: No: 192, Nawala Road, Narahenpita, Colombo -05. Tel : 0112 807500 Hotline: +94 777 789276 E-mail: [serialinvestmentlanka@gmail.com](mailto:serialinvestmentlanka@gmail.com)



### WIRE ON SIDE TYPE

IRON BAR(TRACK)



### INPUT MODULE



### MAGNETIC TRACK

> 3M HEIGHT OF CEILING < 3M

COMMERCIAL USE

—SERIES—

HOME USE

M35

M20



SUSPENDED /SURFACE



RECESSED



TRACK 48V SURFACE



Specialized In Office Light

# M20

HOME USE

48V MAGNETIC TRACK

—SERIES—





# M20

## DFS200 / DFS340 / DFS 680

- Beam Angle:105°
- LED Source: OSRAM 2835 SMD
- Power: 6w&12w&24w
- Dimensions: L200\*W22\*H25mm  
L340\*W22\*H25mm  
L680\*W22\*H25mm
- CCT: 3000K 4000K 5000K
- Ra >90
- Color Tolerance:3 SDMC
- Application: Basic light

- Material:Aluminum+PC
- Optics: Frosted PC
- Surface: Painting





# M20



## LB10 / LB20

- Beam Angle:30°
- LED Source: OSRAM 3030 SMD
- Power: 10w&20w
- Dimensions: L172\*W22\*H25mm  
L341\*W22\*H25mm
- CCT: 3000K 4000K 5000K
- Ra >90
- Color Tolerance:3 SDMC
- UGR: <1
- Application: Accent light

- Material:Aluminum
- Optics: Reflector
- Surface: Painting



# M20

## FD6 / FD12



- Beam Angle:30°
- LED Source: OSRAM 3030 SMD
- Power: 6w&12w
- Dimensions: L118\*W22\*H86mm  
L230\*W22\*H86mm
- CCT: 3000K 4000K 5000K
- Ra >90
- Color Tolerance:3 SDMC
- UGR: <16
- Application: Accent light,360° Rotated

·Material:Aluminum

·Optics: Lens

·Surface: Painting



# M20

## RS6 / RS9



- Beam Angle:30°
- LED Source: OSRAM 3030 SMD
- Power: 12w&18w
- Dimensions:  $\Phi$ 90\*H36mm  
 $\Phi$ 116\*H36mm
- CCT: 3000K 4000K 5000K
- Ra >90
- Color Tolerance:3 SDMC
- UGR: <16
- Application: Accent light,360° Rotated

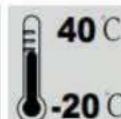
·Material:Aluminum+Glass

·Optics: Lens

·Surface: Painting



**IP20**



High  
**CRI**



**2.4G**



**DALI**



# M20

## TL7 / TL12



- Beam Angle:24°
- LED Source: LUMINUS COB
- Power: 7w&12w
- Dimensions:  $\Phi 36 * L150 * H105\text{mm}$   
 $\Phi 48 * L150 * H125\text{mm}$
- CCT: 3000K 4000K 5000K
- Ra >90
- Color Tolerance:3 SDMC
- UGR: <16
- Application: Accent light,360° Rotated

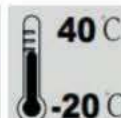
·Material:Aluminum

·Optics: Lens

·Surface: Painting



**IP20**



High  
**CRI**



**2.4G**



**DALI**



Specialized In Office Light

# M35

COMMERCIAL USE

48V MAGNETIC TRACK

—SERIES—





# M35

## DFS 265 / DFS 530

- Beam Angle:105°
- LED Source: OSRAM 2835 SMD
- Power: 12w&24w
- Dimensions: L265\*W34\*H50mm  
L530\*W34\*H50mm
- CCT: 3000K 4000K 5000K
- Ra >90
- Color Tolerance:3 SDMC
- Application: Basic light

·Material:Aluminum+PC

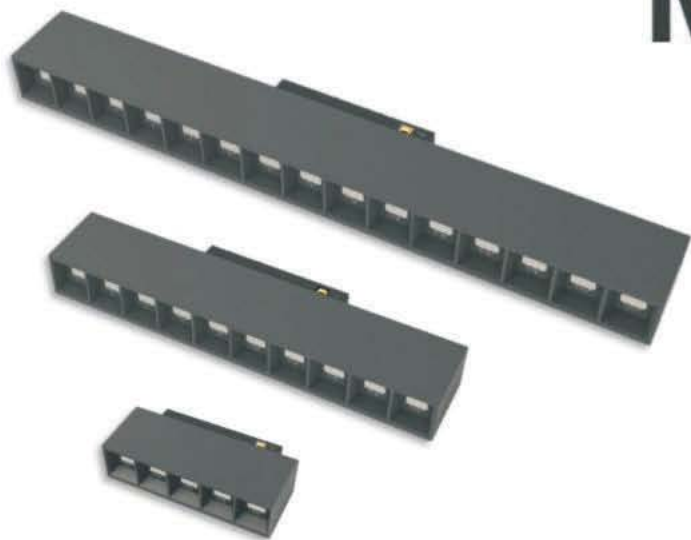
·Optics: Frosted PC

·Surface: Painting



# M35

## LB5 / LB10 / LB15



- Beam Angle:15°/30°/45°
- LED Source: OSRAM 3030 SMD
- Power: 10w&20w&30W
- Dimensions: L135\*W34\*H50mm  
L270\*W34\*H50mm  
L405\*W34\*H50mm
- CCT: 3000K 4000K 5000K
- Ra >90
- Color Tolerance:3 SDMC
- UGR: <16
- Application: Accent light

- Material:Aluminum
- Optics: Reflector
- Surface: Painting





# M35 SL5 / SL 10



- Beam Angle:30°
- LED Source: OSRAM 3030 SMD
- Power: 10w&20w
- Dimensions: L151\*W34\*H50mm  
L302\*W34\*H50mm
- CCT: 3000K 4000K
- Ra >90
- Color Tolerance:3 SDMC
- UGR: <16
- Application: Accent light

- Material:Aluminum
- Optics: Reflector
- Surface: Painting





# M35 FD5 / FD10



- Beam Angle:15°/30°/45°
- LED Source: OSRAM 3030 SMD
- Power: 10w&20w
- Dimensions: L136\*W34\*H140mm  
L270\*W34\*H140mm
- CCT: 3000K 4000K 5000K
- Ra >90
- Color Tolerance:3 SDMC
- UGR: <16
- Application: Accent light,360° Rotated

·Material:Aluminum

·Optics: Lens

·Surface: Painting





# M35

TL7 / TL12

- Beam Angle:24°
- LED Source: LUMINUS COB
- Power: 7w&12w
- Dimensions:  $\Phi$ 36\*L150\*H130mm  
 $\Phi$ 48\*L150\*H145mm
- CCT: 3000K 4000K 5000K
- Ra >90
- Color Tolerance:3 SDMC
- UGR: <16
- Application: Accent light,360° Rotated

·Material:Aluminum

·Optics: Lens

·Surface: Painting



# M35 M20 TB9W



- Beam Angle:24°
- LED Source: CREE COB
- Power: 9w
- Dimensions:  $\Phi 39 \times 290$ mm
- CCT: 3000K 4000K 5000K
- Ra >90
- Color Tolerance:3 SDMC
- UGR: <16
- Application: Accent light,Dining light

·Material:Aluminum

·Optics: Lens

·Surface: Painting



# M35 M20 TA7W



- Beam Angle:90°
- LED Source: 5730 SMD
- Power: 7w
- Dimensions:  $\Phi$ 54\*290mm
- CCT: 3000K 4000K 5000K
- Ra >90
- Color Tolerance:3 SDMC
- Application: Decoration light,Dining light

·Material:Aluminum

·Optics: PMMA

·Surface: Painting



# M35 M20 HG9W



- Beam Angle:24°
- LED Source: CREE COB
- Power: 9w
- Dimensions:  $\Phi$ 54\*290mm
- CCT: 3000K 4000K 5000K
- Ra >90
- Color Tolerance:3 SDMC
- Application: Accent light,Dining light

·Material:Aluminum

·Optics: Reflector

·Surface: Painting





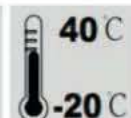
# M35 M20 MN 25/30/35/45/55



## MOON

·Material:PLA

- Beam Angle:>350°
- LED Source: 2835 SMD
- Power: 24w
- Dimensions:  $\Phi$ 25mm  
 $\Phi$ 30mm  
 $\Phi$ 35mm  
 $\Phi$ 45mm  
 $\Phi$ 55mm
- CCT: 3000K 4000K 5000K
- Ra >80
- Color Tolerance:3 SDMC
- Application: Decoration



# M35 M20 MN 25/30/35/45/55



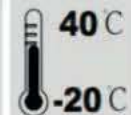
## JUPITER

·Material:PLA

- Beam Angle:>350°
- LED Source: 2835 SMD
- Power: 24w
- Dimensions: Φ25mm  
Φ30mm  
Φ35mm  
Φ45mm  
Φ55mm
- CCT: 3000K 4000K 5000K
- Ra >80
- Color Tolerance:3 SDMC
- Application: Decoration



**IP20**



High  
**CRI**



Specialized In Office Light

# Mini

## OFFICE• COMMERCIAL

### MINI LINEAR

GRILL

—SERIES—



# INSTALLATION INSTRUCTIONS



# 2342 R-30W



- Beam Angle:30°
- LED Source: OSRAM 3030 SMD
- Power: 30w
- Dimensions: L1200\*W23\*H42mm
- CCT: 3000K 4000K 5000K
- Ra: >80
- Light efficiency:> 100lm/W
- Color Tolerance:3 SDMC
- UGR: <1
- Application: Accent light&Mini size

- Material:Aluminum
- Optics: Reflector
- Surface: Painting



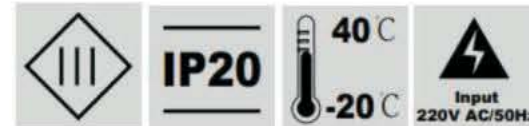


# 2342 P-30W



- Beam Angle:105°
- LED Source: OSRAM 3030 SMD
- Power: 30w
- Dimensions: L1200\*W23\*H42mm
- CCT: 3000K 4000K 5000K
- Ra: >80
- Color Tolerance:3 SDMC
- Application: Accent light&Mini size

- Material:Aluminum+PC
- Optics: Frosted PC
- Surface: Painting





Specialized In Office Light

# 3382

## OFFICE• COMMERCIAL

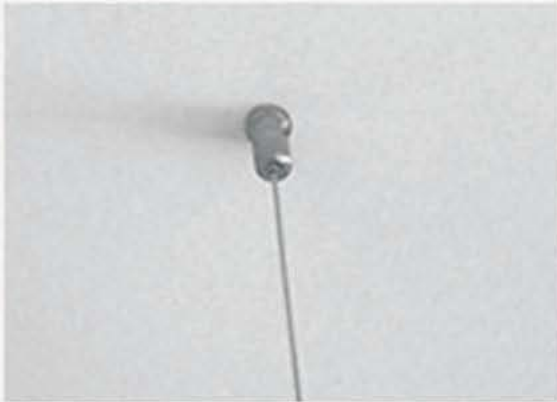
### LINEAR LIGHT

GRILL

SERIES



# INSTALLATION INSTRUCTIONS

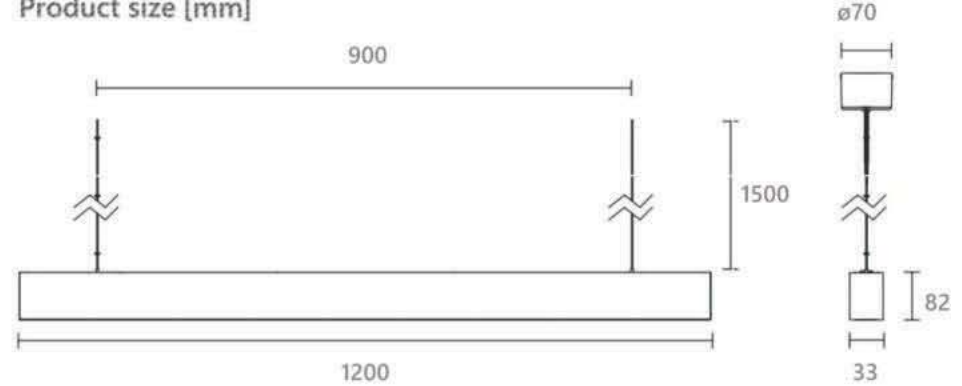




**OSRAM**



Product size [mm]



## DESCRIPTION

ITEM NO.	COLOR	POWER		BEAM ANGLE		CCT	RA	UGR	INSTALL	FLICK	PF	WEIGHT
		DOWN	UP	DOWN	UP							
H48L1200-R9		48w	-						SUSPEN			
H40L1200-R9		40w	-						DED			2200g
H36L1200-R9	●	36w	-			● 3000			SURFAC			
H24L1200-R9	○	24w	-	15° 30° 45°		● 4000	>80	<19	E	<10%	>0.95	
H54L1200-R9+		36w	18w			● 5000			SUSPEN			
H42L1200-R9+		24w	18w		105°				DED			2350g
									DOWN+			
									UP			

## LENGTH CUSTOMIZED

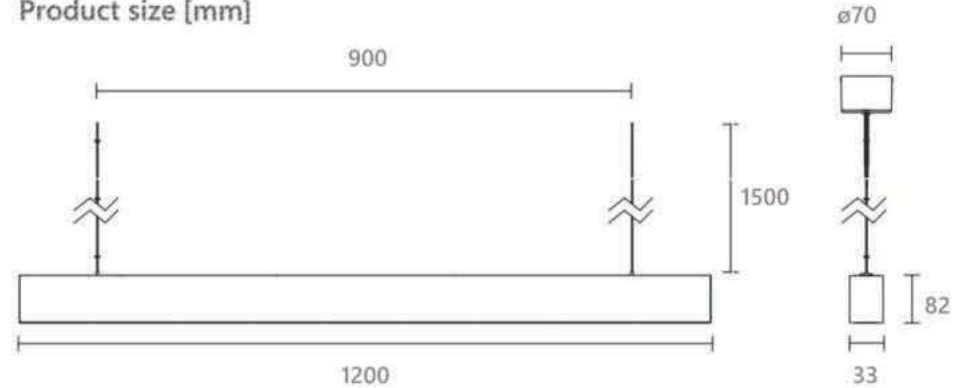




**OSRAM**



Product size [mm]



**DESCRIPTION**

**LENGTH CUSTOMIZED**

ITEM NO.	COLOR	POWER DOWN	POWER UP	BEAM ANGLE DOWN	BEAM ANGLE UP	CCT	RA	UGR	INSTALL	FLICK	PF	WEIGHT
H30L1200-R3		30w	-						SUSPENDED			2100g
H25L1200-R3	●	25w	-	15° 30° 45°		3000	>80	<19	SURFACE	<10%	>0.95	
H48L1200-R3+	○	30w	18w		105°	4000			SUSPENDED			2250g
H43L1200-R3+		25w	18w			5000			DOWN+UP			



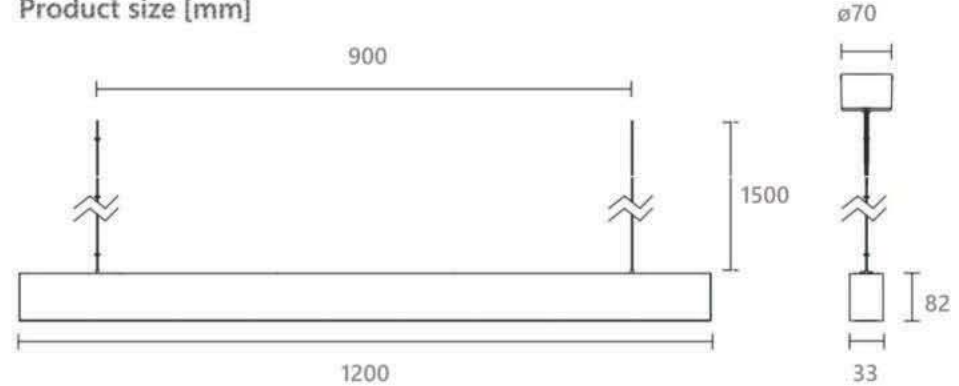




**OSRAM**



Product size [mm]



## DESCRIPTION

## LENGTH CUSTOMIZED

ITEM NO.	COLOR	POWER		BEAM ANGLE		CCT	RA	UGR	INSTALL	FLICK	PF	WEIGHT
		DOWN	UP	DOWN	UP							
H40L1200-RP3RP3R		40w	-						SUSPENDED			2050g
H36L1200-RP3RP3R	● ○	36w	-	15° 30° 45°	-	● 3000	>80	<19	SURFACE	<10%	>0.95	
				diffuser		● 4000						
				90°		● 5000						
H54L1200-RP3RP3R+		36w	18w		105°				SUSPENDED DOWN+UP			2200g

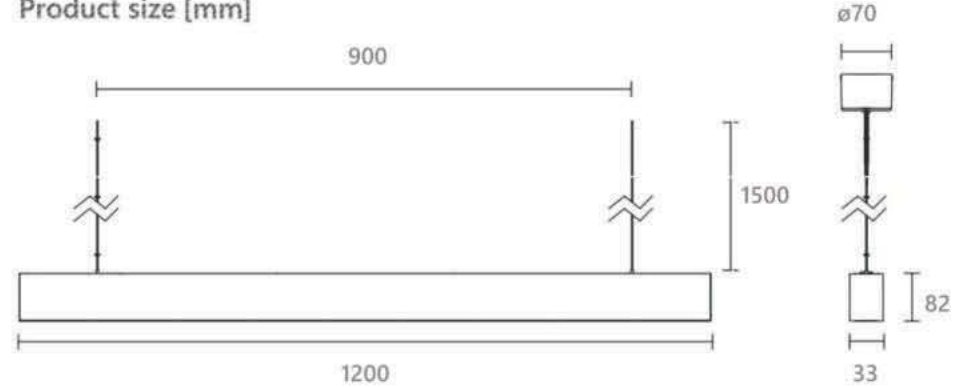




**OSRAM**



Product size [mm]



## DESCRIPTION

ITEM NO.	COLOR	POWER DOWN	POWER UP	BEAM ANGLE DOWN	BEAM ANGLE UP	CCT	RA	UGR	INSTALL	FLICK	PF	WEIGHT
H40L1200-R2P5R2		40w	-						SUSPENDED			2070g
H36L1200-R2P5R2	● ○	36w	-	15° 30° 45° diffuser 90°		● 3000 ● 4000 ● 5000	>80	<19	SURFACE	<10%	>0.95	2070g
H54L1200-R2P5R2+		36w	18w		105°				SUSPENDED DOWN+UP			2250g

## LENGTH CUSTOMIZED

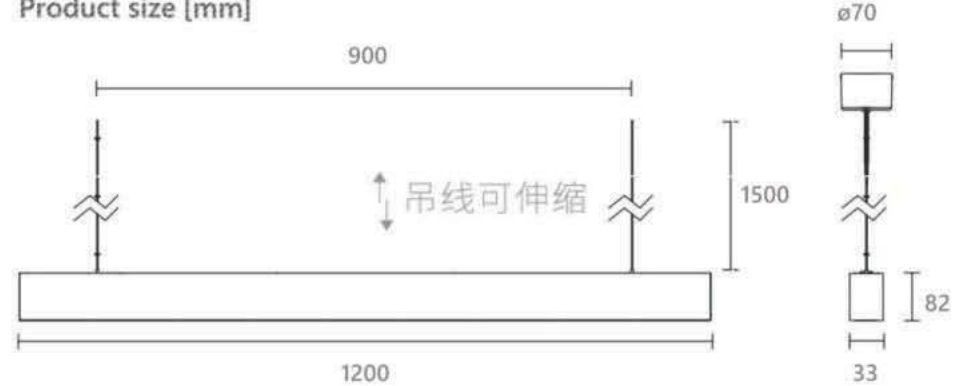




**OSRAM**



Product size [mm]



## DESCRIPTION

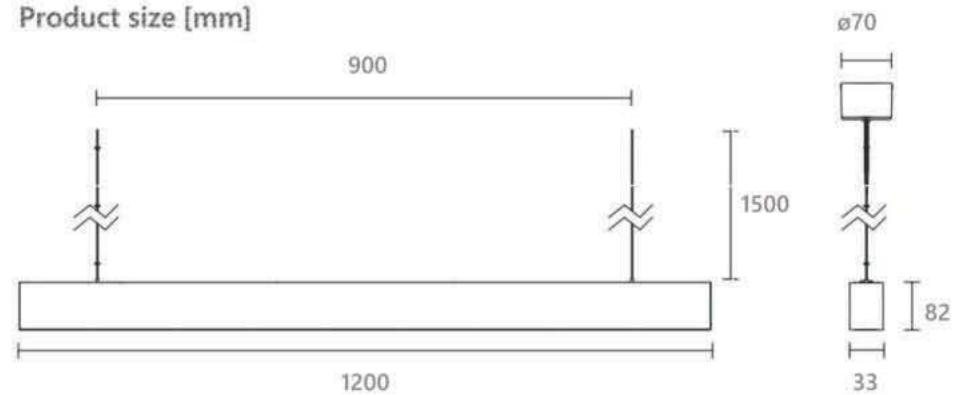
ITEM NO.	COLOR	POWER		BEAM ANGLE		CCT	RA	UGR	INSTALL	FLICK	PF	WEIGHT
		DOWN	UP	DOWN	UP							
H48L1200-T9		48w	-									
H40L1200-T9		40w	-						SUSPEND ED			2350g
H36L1200-T9		36w	-	WALL WASHER	-	● 3000			SURFACE			
H24L1200-T9	● ○	24w	-	DISTANCE TO WALL 60-90cm		● 4000	>80	<19		<10%	>0.95	
H54L1200-T9+		36w	18w	LIGHT RANGE 1.5-2M		● 5000			SUSPEND ED			
H42L1200-T9+		24w	18w		105°				DOWN+ UP			2500g

## LENGTH CUSTOMIZED





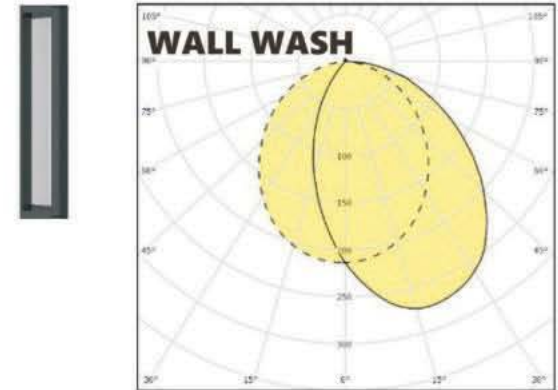
**OSRAM**



**DESCRIPTION**

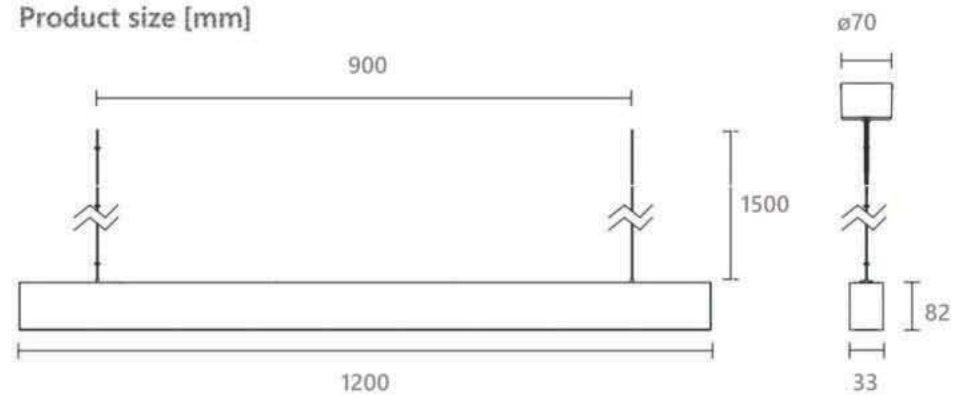
ITEM NO.	COLOR	POWER DOWN	POWER UP	BEAM ANGLE DOWN	BEAM ANGLE UP	CCT	RA	UGR	INSTALL	FLICK	PF	WEIGHT
H30L1200-T3		30w	-						SUSPENDED			
H25L1200-T3	●	25w	-	WALL WASHER	-	● 3000			SURFACE			2100g
H48L1200-T3+	○	30w	18w	DISTANCE TO WALL 60-90cm		● 4000	>80	<19		<10%	>0.95	
H43L1200-T3+		25w	18w	LIGHT RANGE 1.5-2M	105°	● 5000			SUSPENDED			2250g
									DOWN +UP			

**LENGTH CUSTOMIZED**





**OSRAM**



## DESCRIPTION

## LENGTH CUSTOMIZED

ITEM NO.	COLOR	POWER		BEAM ANGLE		CCT	RA	UGR	INSTALL	FLICK	PF	WEIGHT
		DOWN	UP	DOWN	UP							
H36L1200-P9	● ○	36w	-	-	90°	● 3000 ● 4000	>80	<19	SUSPENDED	<10%	>0.95	1800g
									SURFACE			
H54L1200-P9+		36w	18		105°	● 6000			DOWN+UP			1950g







Specialized In Office Light

# D series

OFFICE•  
COMMERCIAL

LINEAR LIGHT

DIFFUSER

—SERIES—





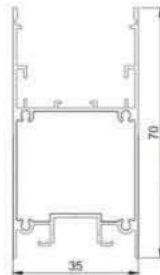
**LENGTH CAN BE CUSTOMIZED**



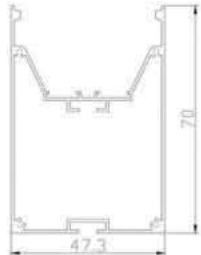
**LENGTH CAN BE CUSTOMIZED**

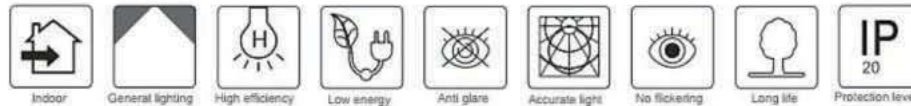


ITEM NO.	D3570-1.2M/18W
POWER [ w ]	18
INPUT VOLTAGE	220V/50Hz
PF	>0.9
BEAM ANGLE	90°
CCT	●3000 ●4000 ●6000
LUMEN	
EFFICIENCY [ Lm / W ]	70 / 80 / 85
RA	>80
FLICKER	Y
OPTICS	PC
LED QTY	2835 96Pcs
WEIGHT [ g ]	1000



ITEM NO.	D5070-1.2M/36W
POWER [ w ]	36
INPUT VOLTAGE	220V/50Hz
PF	>0.9
BEAM ANGLE	90°
CCT	●3000 ●4000 ●6000
LUMEN	
EFFICIENCY [ Lm / W ]	70 / 80 / 85
RA	>80
FLICKER	N
OPTICS	PC
LED QTY	2835 216Pcs
WEIGHT [ g ]	1200

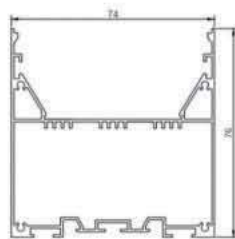




LENGTH CAN BE CUSTOMIZED



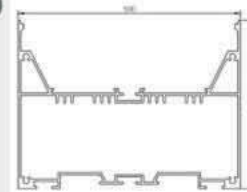
ITEM NO.	D7575-1.2M/48W
POWER [ w ]	48
INPUT VOLTAGE	220V/50Hz
PF	>0.9
BEAM ANGLE	90°
CCT	●3000 ●4000 ●6000
LUMEN EFFICIENCY [ Lm / W ]	70 / 80 / 85
RA	>80
FLICKER	N
OPTICS	PC
LED QTY	2835 288Pcs
WEIGHT [ g ]	1400



LENGTH CAN BE CUSTOMIZED



ITEM NO.	D10070-1.2M/72W
POWER [ w ]	72
INPUT VOLTAGE	220V/50Hz
PF	>0.9
BEAM ANGLE	90°
CCT	●3000 ●4000 ●6000
LUMEN EFFICIENCY [ Lm / W ]	70 / 80 / 85
RA	>80
FLICKER	N
OPTICS	PC
LED QTY	2835 384Pcs
WEIGHT [ g ]	1900







Indoor



General lighting



High efficiency



Low energy



Anti glare



Accurate light



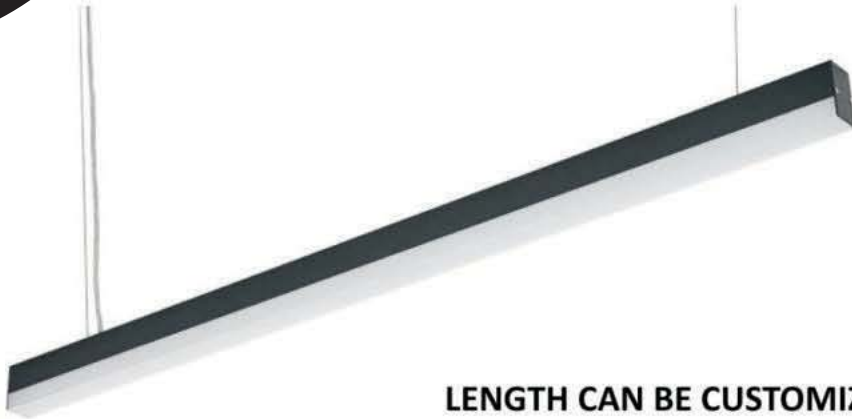
No flickering



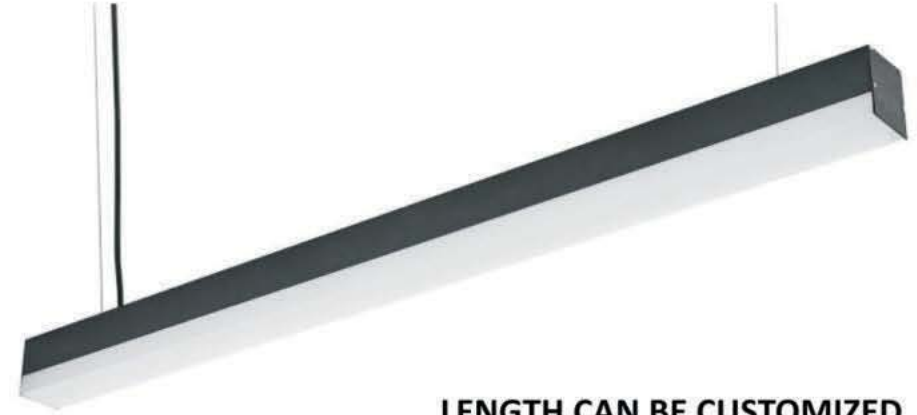
Long life



Protection level



LENGTH CAN BE CUSTOMIZED



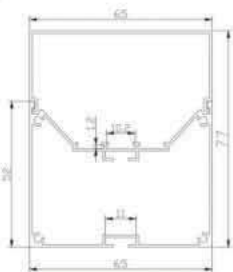
LENGTH CAN BE CUSTOMIZED



ITEM NO.	D3860-1.2M/36W
POWER [ w ]	36
INPUT VOLTAGE	220V/50Hz
PF	>0.9
BEAM ANGLE	140°
CCT	●3000 ●4000 ●6000
LUMEN EFFICIENCY [ Lm / W ]	70 / 80 / 85
RA	>80
FLICKER	N
OPTICS	PC
LED QTY	2835 192Pcs
WEIGHT [ g ]	850



ITEM NO.	D6577-1.2M/36W
POWER [ w ]	36
INPUT VOLTAGE	220V/50Hz
PF	>0.9
BEAM ANGLE	140°
CCT	●3000 ●4000 ●6000
LUMEN EFFICIENCY [ Lm / W ]	70 / 80 / 85
RA	>80
FLICKER	N
OPTICS	PC
LED QTY	2835 384Pcs
WEIGHT [ g ]	1100





Specialized In Office Light

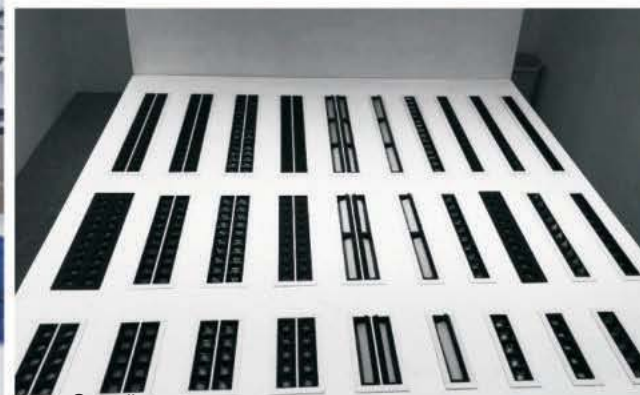
# C series

OFFICE•  
COMMERCIAL

RECESSED  
LINEAR

GRILL

SERIES



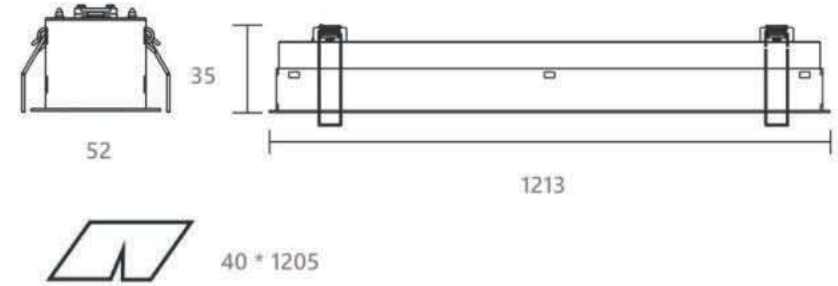




OSRAM



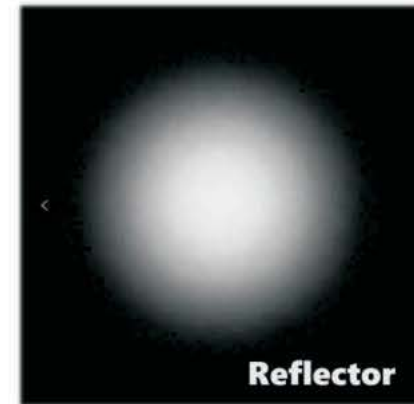
Product size [mm]



DESCRIPTION

ITEM NO.	COL OR	POWER	BEAM ANGLE	CCT	RA	UGR	INSTALL	FLICKER	PF	WEIGHT
C34W401205-R9	○	34w	15°	●3000	>80	<19	RECESSED	<10 %	>0.95	
		30w	30°	●4000						
		27w	45°	●5000						
		24w								

LENGTH CAN BE CUSTOMIZED

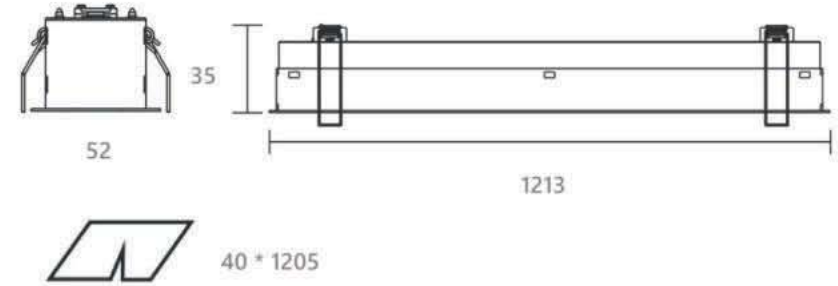




**OSRAM**



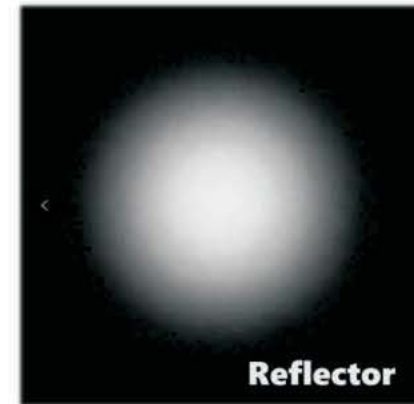
Product size [mm]



**DESCRIPTION**

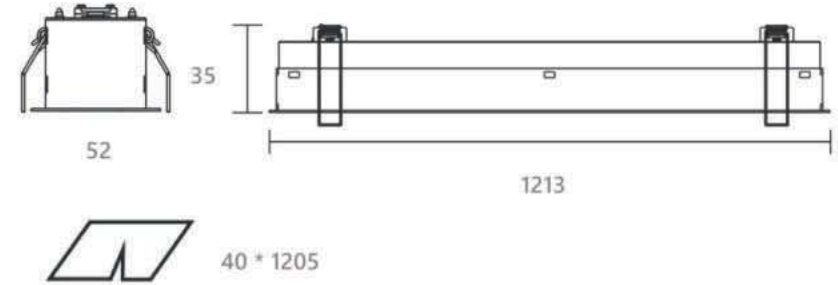
ITEM NO.	COLOR	POWER	BEAM ANGLE	CCT	RA	UGR	INSTALL	FLICKER	PF	WEIGHT
C30W401205-R3	○	34w	15°	● 3000	>80	<19	RECESSED	<10 %	>0.95	
		30w	30°	● 4000						
		27w	45°	● 5000						
		24w								

**LENGTH CAN BE CUSTOMIZED**





**OSRAM**

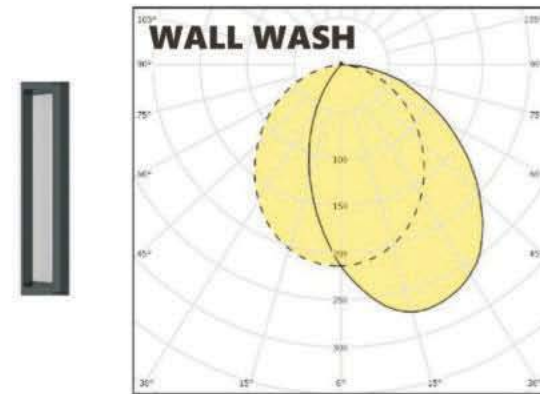


Product size [mm]

**DESCRIPTION**

ITEM NO.	COL OR	POWER	BEAM ANGLE	CCT	RA	UGR	INSTALL	FLICKER	PF	WEIGHT
<b>WALL WASHER</b>										
C30W401205-T9	○	34w	DISTANCE TO WALL 60-90cm	3000	>80	<19	RECESSED	<10 %	>0.95	
		27w		4000						
		24w	LIGHT RANGE 1.5-2M	5000						

**LENGTH CAN BE CUSTOMIZED**

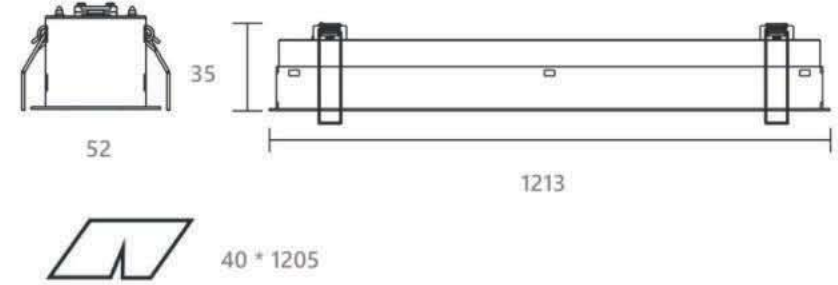




**OSRAM**



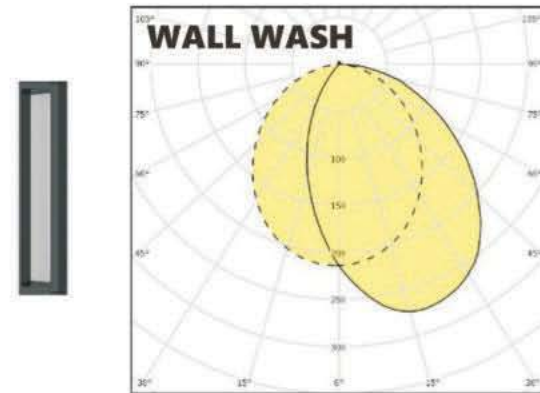
Product size [mm]



**DESCRIPTION**

ITEM NO.	COLO R	POWER	BEAM ANGLE	CCT	RA	UGR	INSTALL	FLIC KER	PF	WEIGH T
<b>WALL WASHER</b>										
C30W401205-T3	○	34w	DISTANCE TO WALL 60-90cm	●3000	>80	<19	RECESSED	<10 %	>0.95	
		30w		●4000						
		27w	LIGHT RANGE 1.5-2M	●5000						
		24w								

**LENGTH CAN BE CUSTOMIZED**





OSRAM



Indoor



General lighting



High efficiency



Low energy



Anti glare



Accurate light



No flickering



Long life



Protection level



DOWN LIGHT

DESCRIPTION

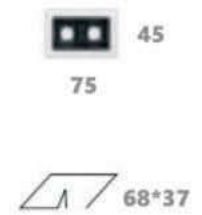
ITEM NO.	C02W3737-R
POWER [ w ]	2
INPUT VOLTAGE	220V/50Hz
PF	>0.9
BEAM ANGLE	15° 30° 45°
CCT	●3000 ●4000 ●5000
LUMEN	
EFFICIENCY [ Lm/W ]	60 / 65 / 70
RA	>80
ugr	<19
OPTICS	Reflector
LED QTY	Osram 3030 2w 1Pcs
CUT SIZE [ m m ]	37 * 37



DOWN LIGHT

DESCRIPTION

ITEM NO.	C04W6837-R
POWER [ w ]	4
INPUT VOLTAGE	220V/50Hz
PF	>0.9
BEAM ANGLE	15° 30° 45°
CCT	●3000 ●4000 ●5000
LUMEN	
EFFICIENCY [ Lm/W ]	60 / 65 / 70
RA	>80
ugr	<19
OPTICS	Reflector
LED QTY	Osram 3030 2w 2Pcs
CUT SIZE [ m m ]	68 * 37







**OSRAM**



**DESCRIPTION**

**DOWN LIGHT**

ITEM NO.	C10W14037-R
POWER [ w ]	10
INPUT VOLTAGE	220V/50Hz
PF	>0.9
BEAM ANGLE	15° 30° 45°
CCT	●3000 ●4000 ●5000
LUMEN	
EFFICIENCY	60 / 65 / 70
[ Lm / W ]	
RA	>80
ugr	<19
OPTICS	Reflector
LED QTY	Osram 3030 2w 5Pcs
CUT SIZE [ m m ]	140 * 37



147



140\*37



**DESCRIPTION**

**DOWN LIGHT**

ITEM NO.	C20W27337-R
POWER [ w ]	20
INPUT VOLTAGE	220V/50Hz
PF	>0.9
BEAM ANGLE	15° 30° 45°
CCT	●3000 ●4000 ●5000
LUMEN	
EFFICIENCY	60 / 65 / 70
[ Lm / W ]	
RA	>80
ugr	<19
OPTICS	Reflector
LED QTY	Osram 3030 2w 10Pcs
CUT SIZE [ m m ]	273 * 37



280



273\*37



**OSRAM**



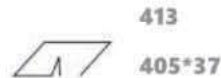
### Company Profile

We started our journey in 2007 as MR Electricals - Since then we have never stopped designing and creating indoor and outdoor architectural light fixtures. Which are synonymous with innovation, research and attention to detail have been lighting the most prestigious architectural and artistic works, creating extraordinary atmospheres and evoking real emotions. The Company has grown in leaps and bounds – with four companies being operated as our sister companies, with specialised teams – all working to provide our clients with the best of technology, innovation and service. Our appearance and identity today are the result of the experience and professionalism we have gained over time, which we want to share with our partners and the quality of the environment we live in.

### DESCRIPTION

**DOWN LIGHT**

ITEM NO.	C30W40537-R
POWER [ w ]	30
INPUT VOLTAGE	220V/50Hz
PF	>0.9
BEAM ANGLE	15° 30° 45°
CCT	●3000 ●4000 ●5000
LUMEN	
EFFICIENCY [ Lm / W ]	60 / 65 / 70
RA	>80
ugr	<19
OPTICS	Reflector
LED QTY	Osram 3030 2w 15Pcs
CUT SIZE [ m m ]	405 * 37



### LEADER BRAND OF NEW GENERATION

